

# TA 80 series

Steel filler plug and air filter up to 550 l/min



# TA 80 GENERAL INFORMATION

## Technical data

### Air breathers & Filler plugs

#### Steel filler plug and air filter Flow rates up to 550 l/min

TA80 is a range of metal air breathers and filler caps for protection of the tank against the solid contamination contained into the air and filling of the fluid into the systems during the commissioning and maintenance procedures.

They are directly fitted on the tank. The robust design allows the use of these filters in any heavy-duty application.

#### Available features:

- Male threaded connections up to 3/4" and flanged connection with bayonet, for a maximum flow rate of 550 l/min
- Fine cellulose filtration, to get a good cleanliness level into the reservoir
- Pressurization valve with different setting, to guarantee a positive pressure into the tank in any application with metal or plastic tanks
- Padlock tab, to secure the air breather to the tank
- Filling basket, to hold the coarse contamination contained into the fluid and to diffuse the fluid flow into the tank
- Anti-splash, to avoid fluid coming out through the air breather due to sloshing

#### Common applications:

- Hydraulic systems
- Mobile machines
- Industrial equipment

### Flow rate $\Delta p$ 0.02 bar

TA80	Flow rate [l/min]	
	Filtration rating 03	10
	450	550

### Materials

- Cover: Chrome Plated steel
- Filter element: Resin impregnated paper, Polyurethane
- Pressurization valve: Polyamide (bodies), Galvanized steel (end cap - disk), Steel (spring), NBR (seals)
- Flange and anti-splash feature: Galvanized steel
- Seals: NBR
- Screws, Flange: Galvanized steel
- Chain, Ring: Brass
- Basket (only TA80B): Galvanized steel

### Temperature

From -25 °C to +100 °C

### Weight

L 80 mm 0.33 kg  
L 100 mm 0.35 kg

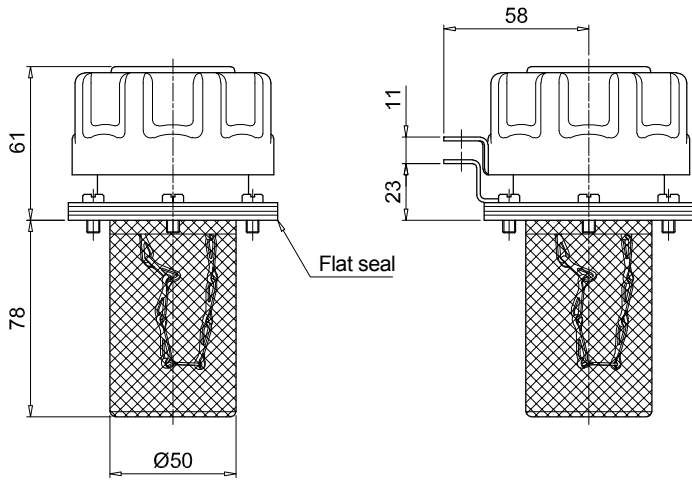


## Designation & Ordering code

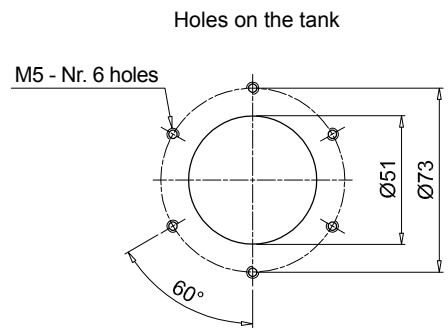
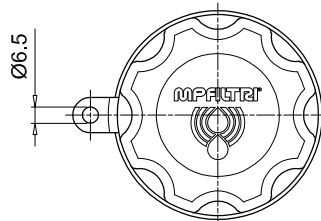
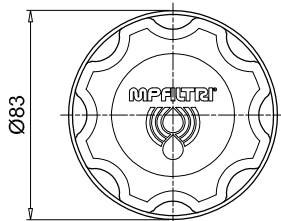
### COMPLETE FILLER PLUG / COMPLETE AIR FILTER

Serie	Configuration example 1:	TA80	B	03	A	0	L	1	P01
TA80	Configuration example 2:	TA80	G	10	A	2			P01
<b>Connections</b>									
<b>B</b>	Screwed flange with bayonet mount	<b>G</b>	G 3/4"						
<b>D</b>	Weld flange with bayonet mount	<b>N</b>	3/4" NPT						
<b>Filtration rating</b>									
	Connection:	<b>B</b>	<b>D</b>	<b>G</b>	<b>N</b>				
<b>00</b>	Without filter (blind filler plug)	•	•	-	-				
<b>03</b>	Resin impregnated paper 3 µm	•	•	•	•				
<b>10</b>	Polyurethane 10 µm	•	•	•	•				
<b>Seals</b>									
<b>A</b>	NBR								
<b>Valve</b>									
	Filtration rating:	<b>00</b>	<b>03</b>	<b>10</b>					
<b>0</b>	Without valve	•	•	•					
<b>1</b>	0.3 bar pressurization valve	-	•	•					
<b>2</b>	0.7 bar pressurization valve	-	•	•					
<b>9</b>	With anti-splash feature	-	•	•					
<b>Version</b>									
	Connection:	<b>B</b>	<b>D</b>	<b>G</b>	<b>N</b>				
<b>0</b>	Standard	•	•	-	-				
<b>L</b>	With padlock tab	•	-	-	-				
<b>Basket</b>									
	Connection:	<b>B</b>	<b>D</b>	<b>G</b>	<b>N</b>				
<b>0</b>	Without basket	•	•	-	-				
<b>1</b>	With basket 80 mm	•	-	-	-				
<b>3</b>	With basket 100 mm	-	•	-	-				
<b>Execution</b>									
		<b>P01</b>	MP Filtri standard						
		<b>Pxx</b>	Customized						

**TA80**  
**Screwed flange**



With padlock tab



**TA80**  
**Weld flange**  
**Threaded connection**

