

**ACCESSORIES**

**TANK  
ACCESSORIES**

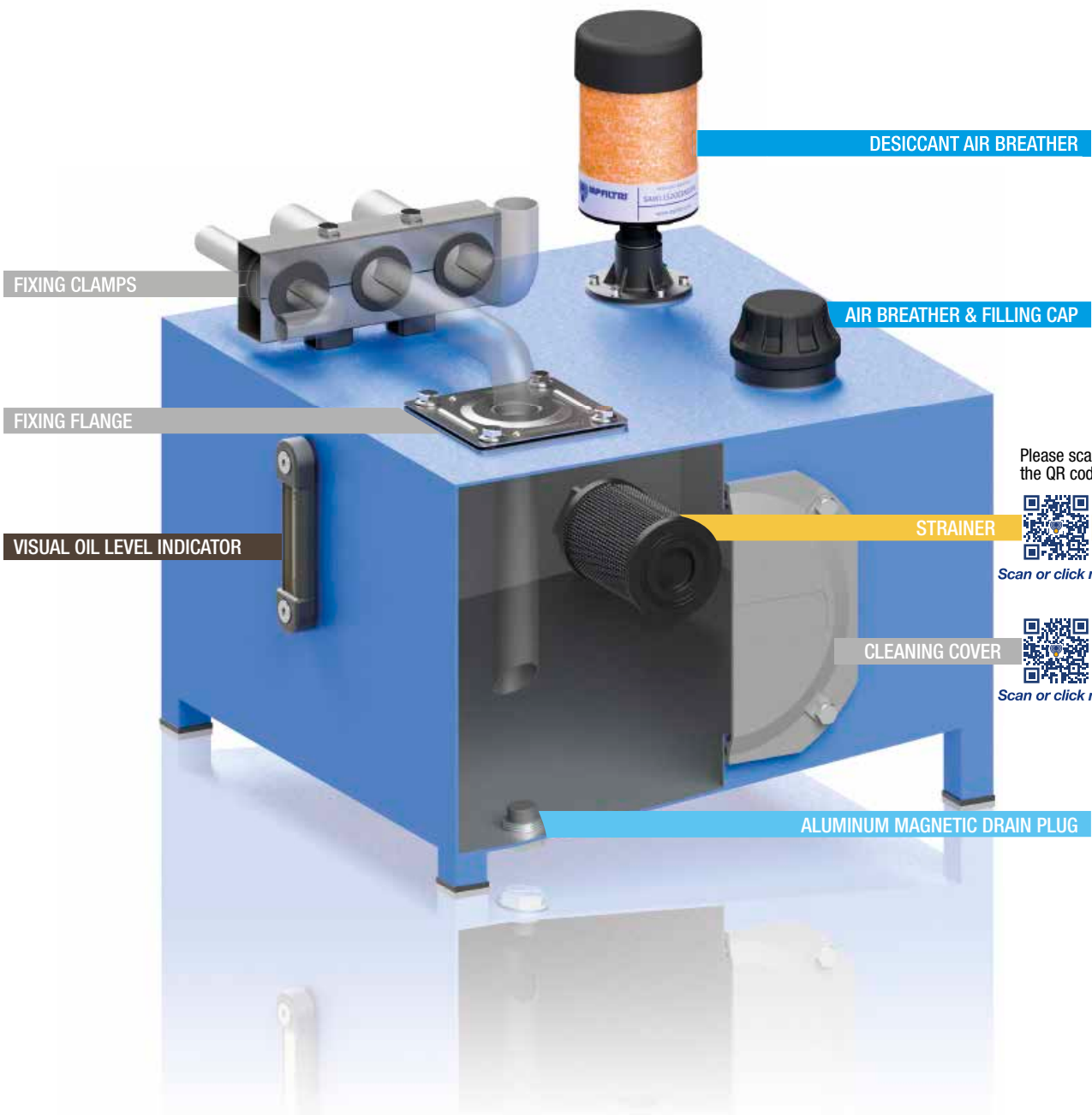
**CATALOGUE**



**PASSION TO PERFORM**



# TANK ACCESSORIES



Please scan the QR codes:



Suction Filters

Scan or click me!



Power Transmission Accessories

Scan or click me!

<b>1</b>	<b>page</b>	<b>INTRODUCTION</b>
2		INDEX
4		COMPANY PROFILE
8		PRODUCT RANGE

<b>10</b>	<b>page</b>	<b>AIR BREATHERS AND FILLER PLUGS</b>
13	SAP 054-075 - SA	Air breathers
19	SAW 115	Moisture control desiccant air breathers
23	SCS	Metal air breathers with interchangeable filter element
29	SME 1 - SMF 1 - SML 1	Risers for breathers and filler caps installation
35	TA 46 - TAP 50 - SAP 50	Filler plug and air filter up to 200 l/min
43	TA 80	Steel filler plug and air filter up to 500 l/min
47	TAP 90	Filler plug and polyamide air filter up to 550 l/min
53	TAP 114	Filler plug and polyamide air filter up to 1600 l/min
57	TAP 115 & SAP 115	Filler plug and polyamide air filter up to 3000 l/min

<b>62</b>	<b>page</b>	<b>FILLER AND DRAIN PLUGS</b>
65	TC 50	Polyamide filler plug
69	TKT - TSD - TKM	Filler and draining plugs

<b>76</b>	<b>page</b>	<b>VISUAL OIL LEVEL INDICATORS</b>
79	LCP - LCC	Visual oil level indicator - round shape
85	LVA - LVU	Visual oil level indicator - vertical shape

<b>90</b>	<b>page</b>	<b>ELECTRICAL OIL LEVEL INDICATORS</b>
93	LEN - LEG - LET - LEM - LEU	Electric oil level indicator
95	LVK	Visual and Electric oil level indicator

<b>110</b>	<b>page</b>	<b>ACCESSORIES</b>
113	EM1	Pressure gauge isolator
119	SVM	Gauge selector valve
123	FTA - FTR	Oil tank fixing flange
127	MULTIFIT SFT	Fixing clamps

**EM1 & SVM gauge isolator valves are designed to protect pressure gauges from pressure shocks when the pressure reading is not required.**

**FTA/FTR flanges make it possible to fix suction and return lines on the reservoir cover.**

**MULTIFIX fixing clamps make it possible to install various pipelines of different types and diameters, rapidly, easily, and, more importantly, economically.**

**CLEANING COVERS, facilitating the maintenance of oil tanks in hydraulic power units, without necessarily having to dismantle the unit.**

**ALUMINIUM TANKS of 10 litres capacity, allowing the assembly of a compact hydraulic power unit.**



EM1	page 113
SVM	119
FTA - FTR	123
MULTIFIX SFT	127



# EM1 series

Pressure gauge isolator



## Technical data

### Accessories

#### Pressure gauge isolator

Gauge isolator valves are designed to protect pressure gauges from pressure shocks when the pressure reading is not required; after each reading setting the selector to the closed position serves to depressurise the pressure gauge by means of the T fitting connected to the reservoir.

#### Working instructions:

- Button not pressed: pressure gauge isolated
- Button pressed: pressure gauge reading
- Button pressed and turned (either to left or right): button remains in position and pressure gauge measures pressure continuously.
- To isolate the pressure gauge from pressure reading, turn the button until it returns to the not pressed position.

#### Materials A-B

- Body: Cast iron
- Pin: Steel
- Seals: NBR
- Knob/cover: Polyamide
- Stop ring: Steel
- Spring: Steel
- Nameplate: Aluminium
- Nut-screw: Galvanized steel

#### Materials C

- Body: Cast iron
- Pin: Steel
- Seals: NBR
- Knob/cover: Polyamide
- Stop ring: Steel
- Spring: Steel
- Nameplate: Aluminium
- Nut-screw: Galvanized steel
- Plug: Anodized steel

#### Operating pressure

400 bar

#### Operating temperature

From -25 °C to + 100 °C

#### Weight

EM1 version A	0.41 kg
EM1 version B	0.44 kg
EM1 version C	1.00 kg

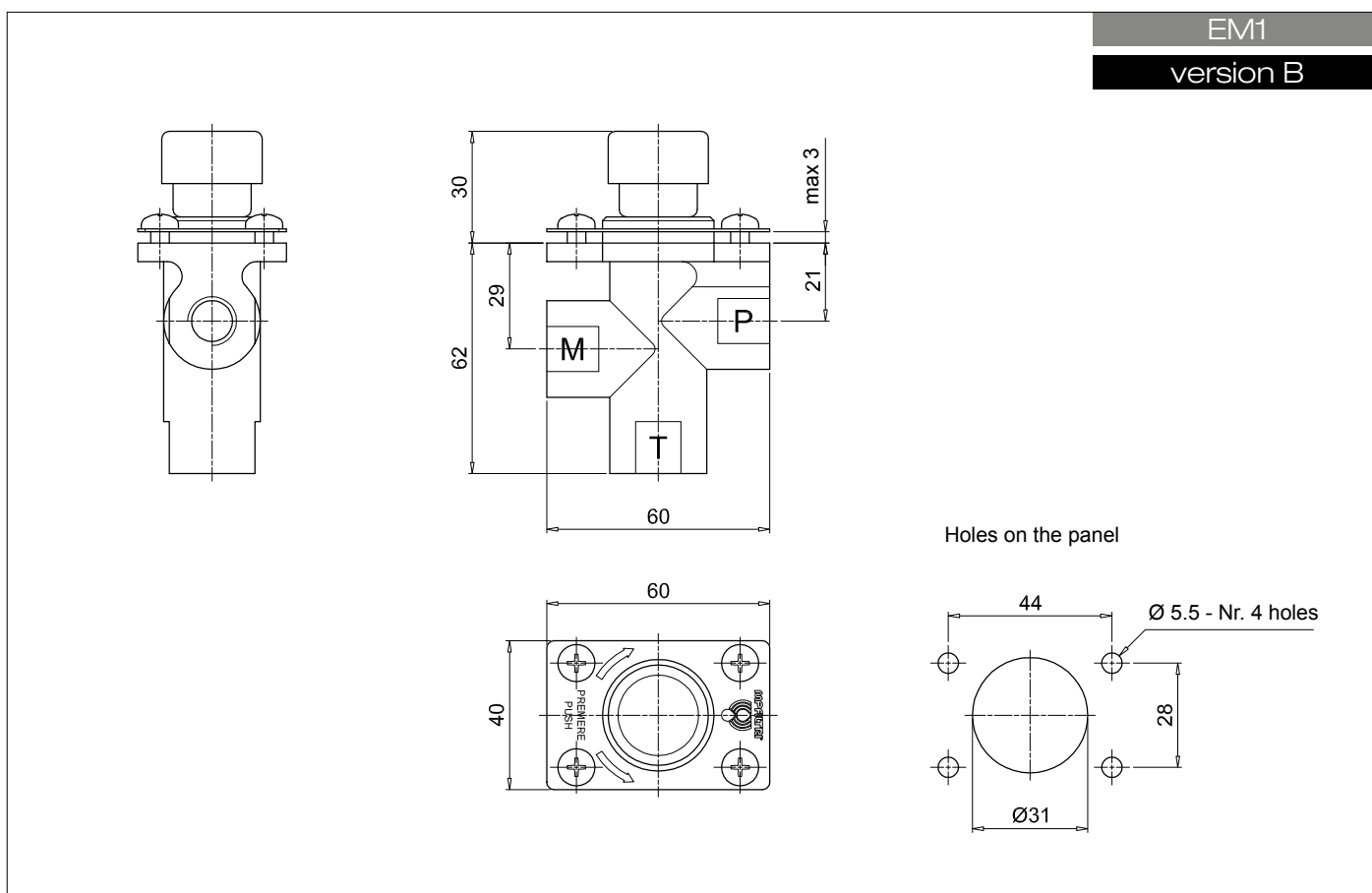
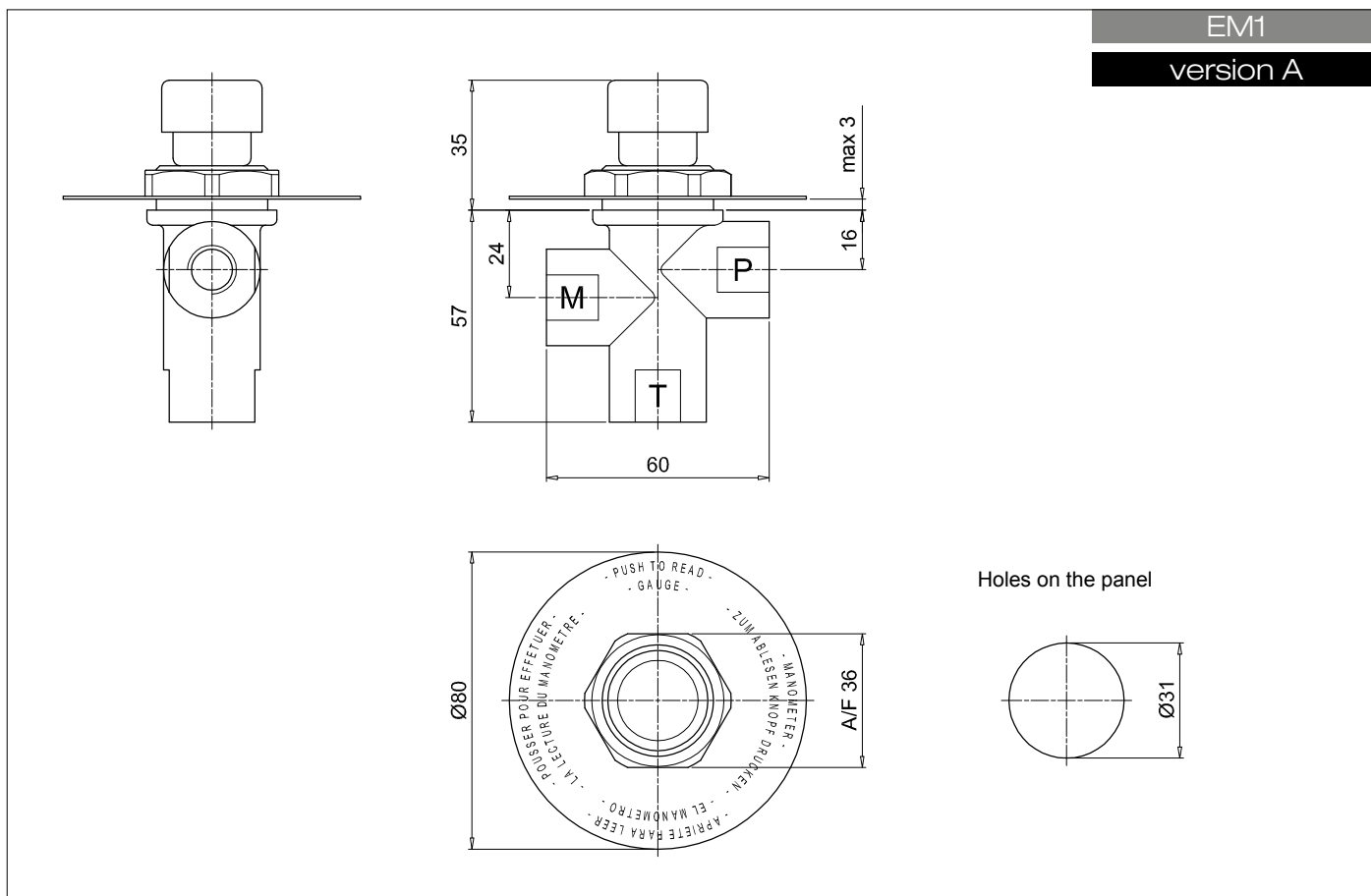


## Designation & Ordering code

### COMPLET PRESSURE-GAUGE ISOLATOR

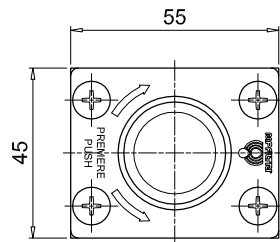
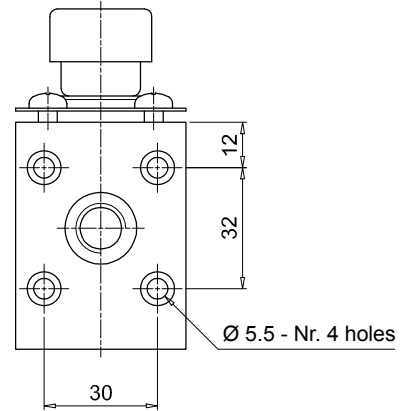
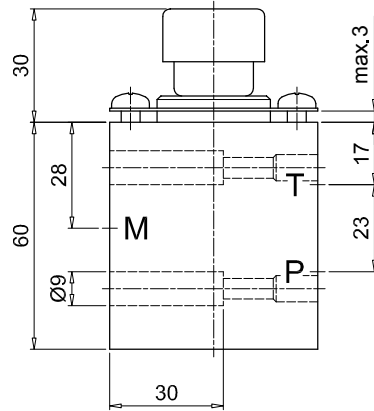
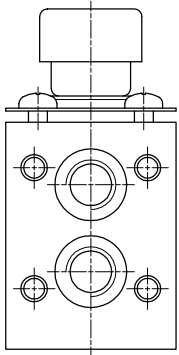
<b>Series</b>		Configuration example : <b>EM1</b> <b>A</b> <b>G2</b> <b>A</b> <b>P01</b>				
<b>EM1</b>						
<b>Version</b>		<b>G1</b>	<b>G2</b>			
<b>A</b>	Threaded connections, panel mount with hex nut	•	•			
<b>B</b>	Threaded connections, panel mount with screws	•	-			
<b>C</b>	Manifold/threaded connections, panel mount with screws	•	-			
<b>Connection</b>						
<b>G1</b>	G 1/4"					
<b>G2</b>	1/4" NPT					
<b>Seals</b>						
<b>A</b>	NBR					
<b>Execution</b>						
<b>P01</b>	MP Filtri standard					
<b>Pxx</b>	Customized					



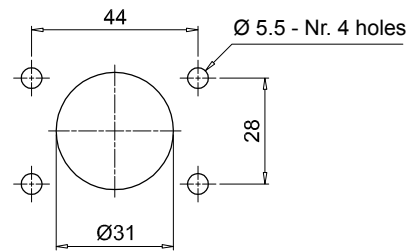


EM1

version C



Holes on the panel







# SVM series

Gauge selector valve



# SVM GENERAL INFORMATION

## Technical data

### Accessories

#### Gauge selector valve

Gauge isolator valves are designed to protect pressure gauges from pressure shocks when the pressure reading is not required; after each reading setting the selector to the closed position serves to depressurize the pressure gauge by means of the T fitting connected to the reservoir.

#### Working instructions:

- Knob not pressed: pressure gauge isolated
- Knob pressed: pressure gauge reading
- Knob pressed and turned: the knob remains in position and pressure gauge measures pressure continuously.
- To isolate the pressure gauge from pressure reading, turn the button until it returns to the not pressed position.

#### Materials

- Body: Cast iron
- Pin: Steel
- Seals: NBR
- Cover: Anodized aluminium
- Flange: Anodized aluminium
- Knob: Polyamide
- Ringnut: Polyamide
- Nut-screw: Galvanized steel, Phosphatized steel

#### Operating pressure

400 bar

#### Operating temperature

From -25 °C to + 100 °C

#### Weight

SVM version 3 1.547 kg  
SVM version 6 1.507 kg



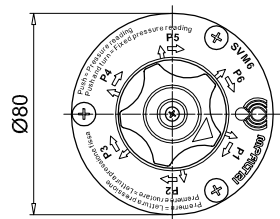
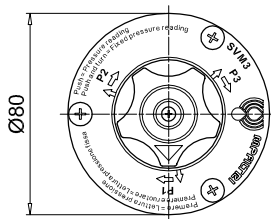
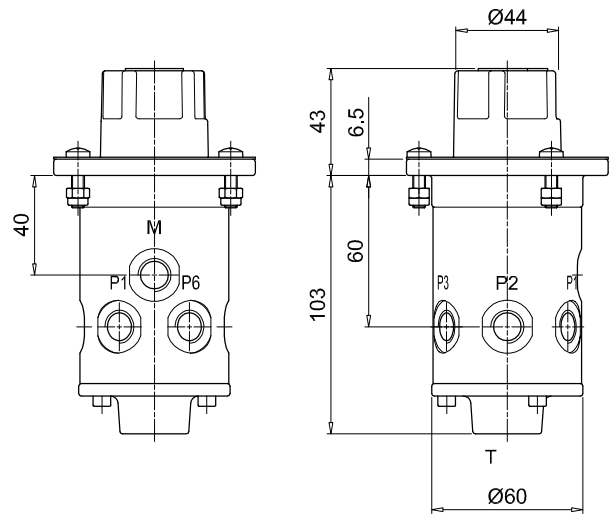
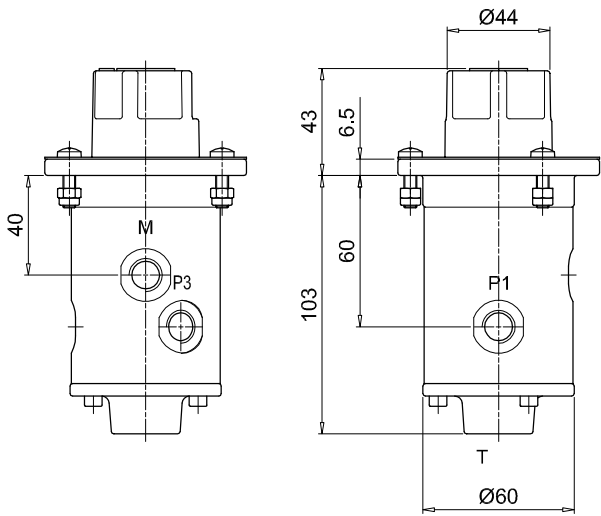
## Designation & Ordering code

### COMPLETE GAUGE ISOLATOR VALVE

Series	Configuration example :				
<b>SVM</b>	SVM	3	G1	A	P01
<b>Version</b>					
<b>3</b> Nr. 3 pressure ports					
<b>6</b> Nr. 6 pressure ports					
<b>Connection</b>					
<b>G1</b> G 1/4"					
<b>Seals</b>					
<b>A</b> NBR					
<b>Execution</b>					
<b>P01</b> MP Filtri standard					
<b>Pxx</b> Customized					

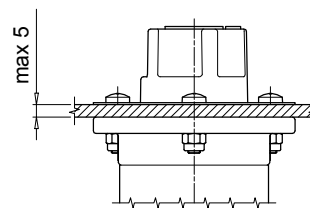
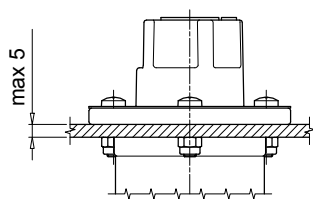
SVM  
version 3

SVM  
version 6

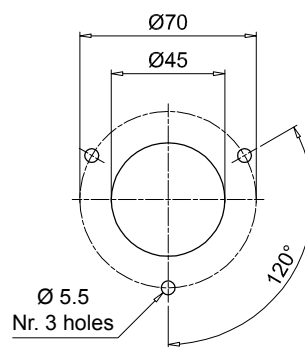
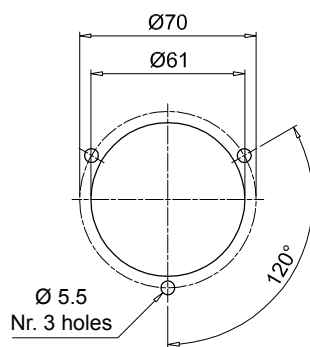


External mount

Internal mount



Holes on the panel







# FTA -FTR series

Oil tank fixing flange



# FTA - FTR GENERAL INFORMATION

## Technical data

### Accessories

#### Oil tank fixing flange

FT flanges make it possible to fix suction and return lines on the reservoir cover.

Fitting a flexible insert allows separation of pipes.

Both rigid pipes and flexible hoses can be separated from the reservoir walls, absorbing vibration and reducing plant noise emissions.

#### Operating temperature

From -25 °C to + 100 °C

### Materials

- Flange: Galvanized steel
- Flange seal: Inorganic fibre
- Tube seal: NBR
- Screw: Galvanized steel

#### Weight FTA

FTA 1215	0.590 kg
FTA 1620	0.570 kg
FTA 2225	0.550 kg
FTA 2630	0.530 kg
FTA 3235	0.500 kg
FTA 3842	0.520 kg
FTA 4850	0.920 kg
FTA 6061	0.900 kg
FTA 7577	0.860 kg
FTA 8789	0.830 kg

#### Weight FTR

FTR 0610	0.450 kg
FTR 1215	0.430 kg
FTR 1620	0.400 kg
FTR 2225	0.100 kg
FTR 2630	0.103 kg
FTR 3235	0.980 kg
FTR 3842	0.950 kg
FTR 4850	0.900 kg
FTR 6061	0.850 kg

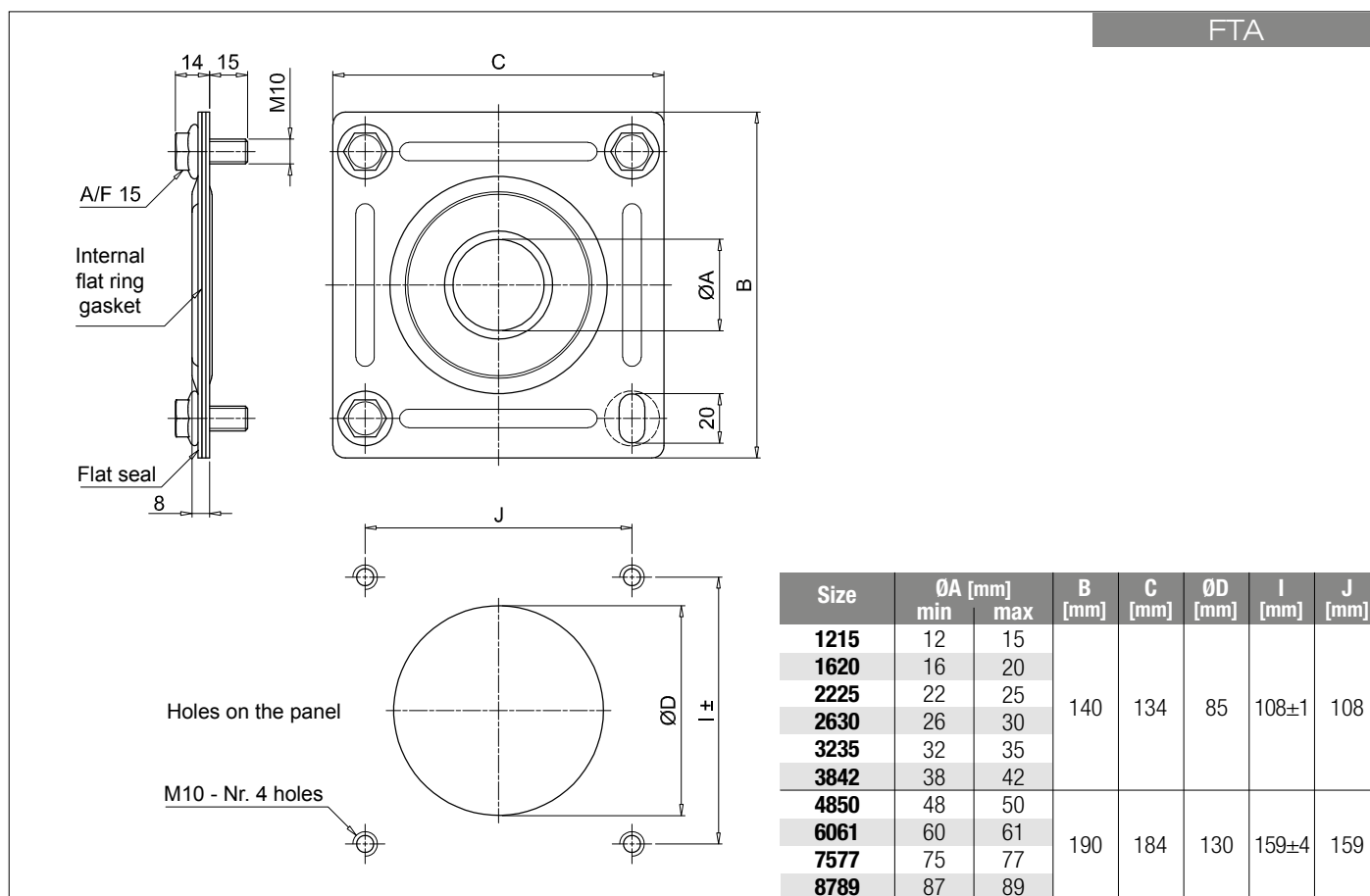


## Designation & Ordering code

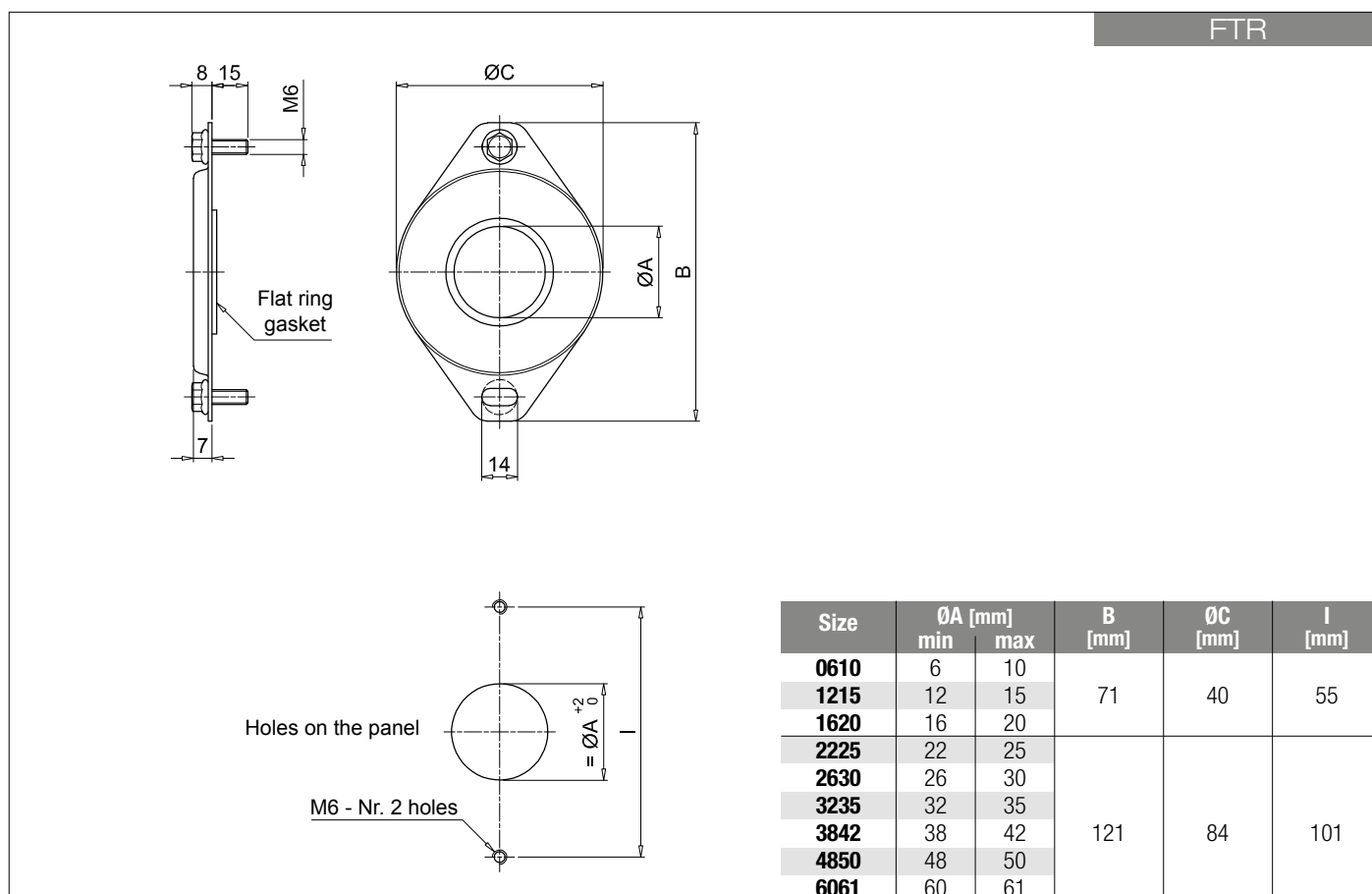
### COMPLETE OIL TANK FIXING FLANGE

Series		Configuration example : FTA 2630 G A P01				
FTA	FTR					
<b>Size</b>		FTA	FTR			
<b>0610</b>	Pipe Ø06 ÷ 10 mm	-	•			
<b>1215</b>	Pipe Ø12 ÷ 15 mm	•	•			
<b>1620</b>	Pipe Ø16 ÷ 20 mm	•	•			
<b>2225</b>	Pipe Ø22 ÷ 25 mm	•	•			
<b>2630</b>	Pipe Ø26 ÷ 30 mm	•	•			
<b>3235</b>	Pipe Ø32 ÷ 35 mm	•	•			
<b>3842</b>	Pipe Ø38 ÷ 42 mm	•	•			
<b>4850</b>	Pipe Ø48 ÷ 50 mm	•	•			
<b>6061</b>	Pipe Ø60 ÷ 61 mm	•	•			
<b>7577</b>	Pipe Ø75 ÷ 77 mm	•	-			
<b>8789</b>	Pipe Ø87 ÷ 89 mm	•	-			
<b>Flange seals</b>		FTA	FTR			
<b>G</b>	Inorganic fiber	•	-			
<b>0</b>	Without seal	-	•			
<b>Pipe seals</b>						
<b>A</b>	NBR					
<b>Execution</b>						
<b>P01</b>	MP Filtri standard					
<b>Pxx</b>	Customized					

### FTA



### FTR





# MULTIFIX SFT series

Fixing clamps



## Technical data

### Accessories

#### Fixing clamps

MULTIFIX fixing clamps are particularly suitable when a series of pipelines must be installed requiring neat and high precision installation. These brackets make it possible to install various pipelines of different types and diameters, rapidly, easily, and, more importantly, economically.

MULTIFIX clamps support, guide, and absorb impact and vibration, protecting the pipes and dispensing with the need for complex and unsightly mounting systems with angle clamps etc.

An orderly layout facilitates maintenance resulting in significant savings in running costs; it also allows intuitive visual design of the plant, which can be assembled easily even without specialised labour.

#### Materials

- Pair of brackets: Galvanized steel
- Bush: NBR
- Spacer: Steel
- Studs: Steel
- Screws: Steel
- Foot and screw: Steel

#### Weight

SFT 38 1	0.050 kg
SFT 51 1	0.100 kg
SFT 78 1	0.570 kg

#### Operating temperature

From -25 °C to + 100 °C



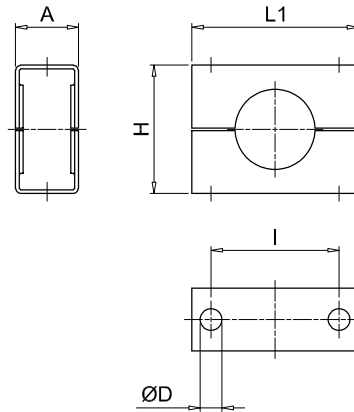
## Designation & Ordering code

### COMPLETE FIXING CLAMP

Serie	Configuration example :			
<b>SFT</b>	SFT	51	19	P01
Size				
<b>38</b>	Height 38 mm - 1 1/2"			
<b>51</b>	Height 51 mm - 2"			
<b>78</b>	Height 78 mm - 3"			
Number of pipe	38	51	78	
<b>1</b>	Single pipe	•	•	•
<b>16</b>	Nr. 16 pipes	-	-	•
<b>19</b>	Nr. 19 pipes	-	•	-
<b>26</b>	Nr. 26 pipes	•	-	-
Execution				
<b>P01</b>	MP Filtri standard			
<b>Pxx</b>	Customized			

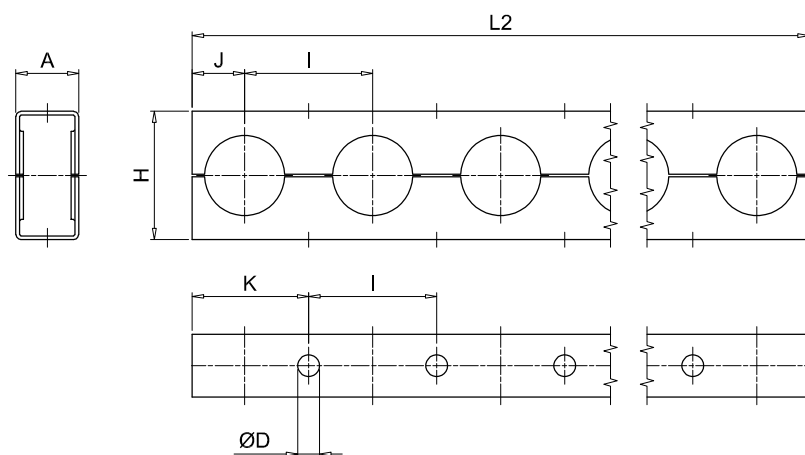
SFT

Single pipe



SFT

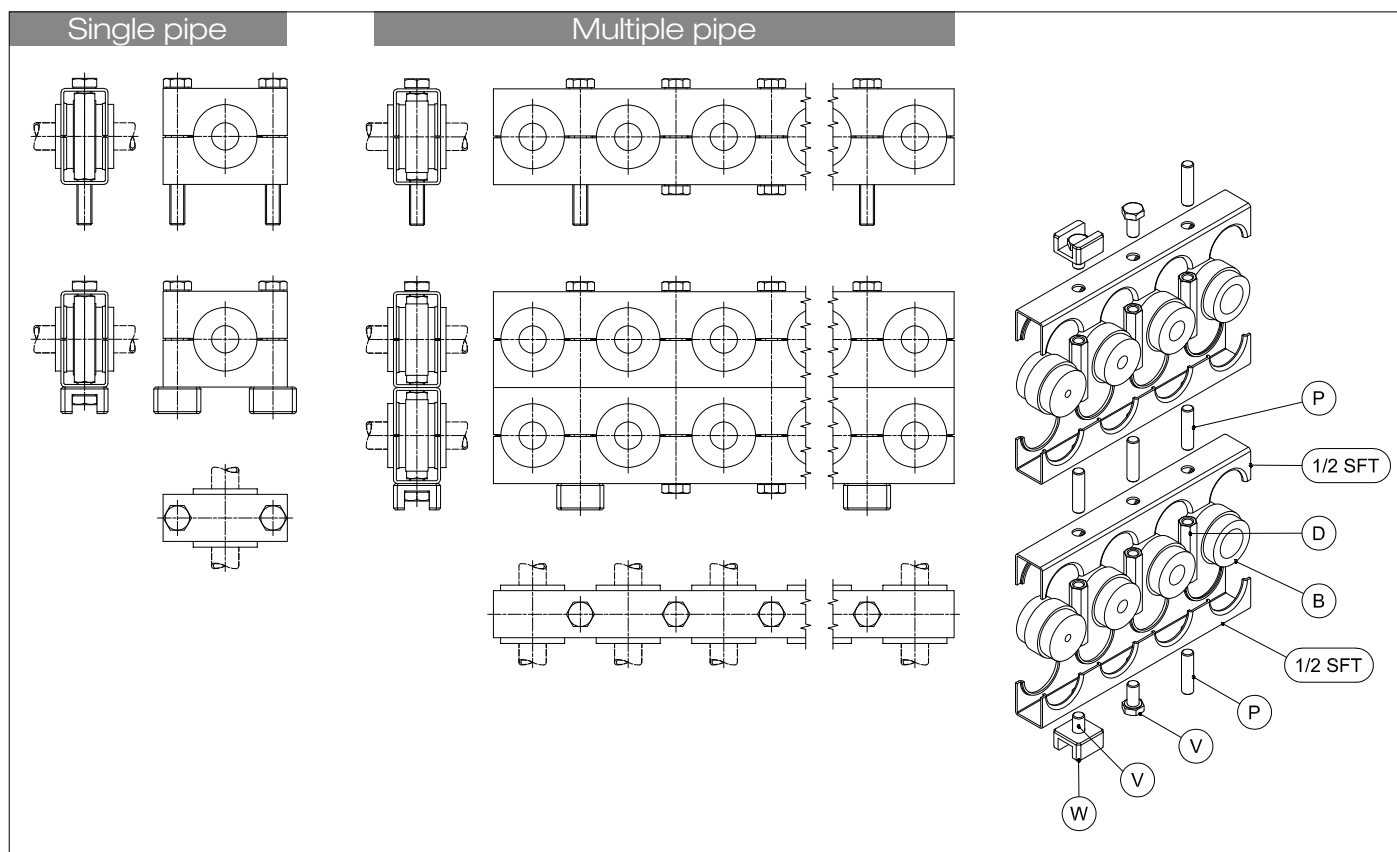
Multiple pipe



Size	A [mm]	ØD [mm]	H [mm]	I [mm]	J [mm]	K [mm]	L1 [mm]	L2 [mm]
<b>38</b>	25	8.7	38	38.1	15	34	56	982
<b>51</b>	25	8.7	51	50.8	21	46	66	956
<b>78</b>	41	11.1	78	76.2	35	73	95	1213

# SFT MULTIFIX

## Assembly



## Designation & Ordering code

### RUBBER BUSH

Configuration example: **B** | **51** | **1820**

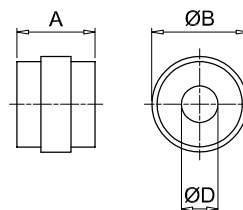
**Series**  
**B** Rubber bush

**Size**  
**38**  
**51**  
**78**

Pipe diameter	38	51	78
<b>6</b> Pipe Ø6 mm	•	•	
<b>8</b> Pipe Ø8 mm	•	•	•
<b>10</b> Pipe Ø10 mm - 1/8"	•	•	•
<b>1214</b> Pipe Ø12 ÷ 14 mm - 1/4"	•	•	•
<b>1516</b> Pipe Ø15 ÷ 16 mm - 3/8"	•	•	•
<b>1820</b> Pipe Ø18 ÷ 20 mm - 1/2"	•	•	•
<b>22</b> Pipe Ø22 mm - 5/8"		•	•
<b>25</b> Pipe Ø25 mm - 3/4"		•	•
<b>28</b> Pipe Ø28 mm		•	
<b>2830</b> Pipe Ø28 ÷ 30 mm - 7/8"			•
<b>33</b> Pipe Ø33 mm - 1"			•
<b>3538</b> Pipe Ø35 ÷ 38 mm - 1 1/8"			•
<b>42</b> Pipe Ø42 mm - 1 1/4"			•
<b>50</b> Pipe Ø50 mm			•

**B**

## Dimensions



Size	A [mm]	ØB [mm]
<b>38</b>	31	25
<b>51</b>	31	38
<b>78</b>	45	59

Pipe diameter	ØD [mm]	Ø nom. pipe [inch]
<b>6</b>	6	-
<b>8</b>	8	-
<b>10</b>	10	1/8"
<b>1214</b>	12÷14	1/4"
<b>1516</b>	15÷16	3/8"
<b>1820</b>	18÷20	1/2"
<b>22</b>	22	5/8"
<b>25</b>	25	3/4"
<b>28</b>	28	-
<b>2830</b>	28÷30	7/8"
<b>33</b>	33	1"
<b>3538</b>	35÷38	1 1/8"
<b>42</b>	42	1 1/4"
<b>50</b>	50	-



## HEXAGON CONNECTION NUT D

Configuration example: **D** **51** **M**

Series

**D** Hexagon connection nut

Size

**38**

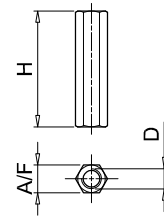
**51**

**78**

Screws

**M** Metric

**U** UNC



Size	Screws [mm]	D [mm]	H [mm]	A/F [mm]
<b>38</b>	M	M8	33	11
	U	5/16" UNC		
<b>51</b>	M	M8	46	11
	U	5/16" UNC		
<b>78</b>	M	M10	72	13
	U	3/8" UNC		

## STUD BOLT P

Configuration example: **P** **3851** **M**

Series

**P** Stud bolt

Size

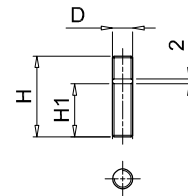
**38 - 51**     SFT 38   SFT 51   SFT 78

**78**

Screws

**M** Metric

**U** UNC



Size	Screws [mm]	D [mm]	H [mm]	H1 [mm]
<b>38 - 51</b>	M	M8	32	21
	U	5/16" UNC		
<b>78</b>	M	M10	38	22
	U	3/8" UNC		

## HEXAGON HEAD SCREW V

Configuration example: **V** **3851** **M**

Series

**V** Hexagon head screw

Size

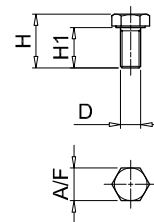
**38 - 51**     SFT 38   SFT 51   SFT 78

**78**

Screws

**M** Metric

**U** UNC



Size	Screws [mm]	D [mm]	H [mm]	H1 [mm]	A/F [mm]
<b>38 - 51</b>	M	M8	21	16	13
	U	5/16" UNC			
<b>78</b>	M	M10	36	30	17
	U	3/8" UNC			

## WELDING FOOT W

Configuration example: **W** **3851**

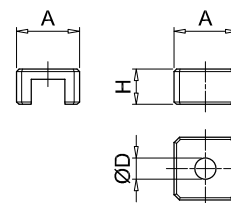
Series

**W** Welding foot

Size

**38 - 51**     SFT 38   SFT 51   SFT 78

**78**



Size	H [mm]	ØD [mm]	A [mm]
<b>38 - 51</b>	25	8.5	14
<b>78</b>	32	11	16

# WORLDWIDE NETWORK

CANADA ♦ CHINA ♦ FRANCE ♦ GERMANY ♦ INDIA ♦ SINGAPORE  
UNITED ARAB EMIRATES ♦ UNITED KINGDOM ♦ USA



PASSION  PERFORM

in   



[mpfiltri.com](http://mpfiltri.com)  
Scan or click me!

MP Filtri reserves the right to make modifications to the models and versions of the described products at any time for both technical and/or commercial reasons. For updated information please visit our website: [www.mpfiltri.com](http://www.mpfiltri.com). The colors and the pictures of the products are purely indicative. Any reproduction, partial or total, of this document is strictly forbidden. All rights are strictly reserved.

MF00100034  
EN - 2025.02