

# SVM series

Gauge selector valve



# SVM GENERAL INFORMATION

## Technical data

### Accessories

#### Gauge selector valve

Gauge isolator valves are designed to protect pressure gauges from pressure shocks when the pressure reading is not required; after each reading setting the selector to the closed position serves to depressurize the pressure gauge by means of the T fitting connected to the reservoir.

#### Working instructions:

- Knob not pressed: pressure gauge isolated
- Knob pressed: pressure gauge reading
- Knob pressed and turned: the knob remains in position and pressure gauge measures pressure continuously.
- To isolate the pressure gauge from pressure reading, turn the button until it returns to the not pressed position.

#### Materials

- Body: Cast iron
- Pin: Steel
- Seals: NBR
- Cover: Anodized aluminium
- Flange: Anodized aluminium
- Knob: Polyamide
- Ringnut: Polyamide
- Nut-screw: Galvanized steel, Phosphatized steel

#### Operating pressure

400 bar

#### Operating temperature

From -25 °C to + 100 °C

#### Weight

SVM version 3 1.547 kg  
SVM version 6 1.507 kg



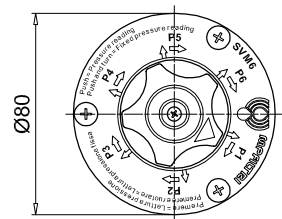
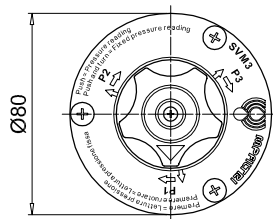
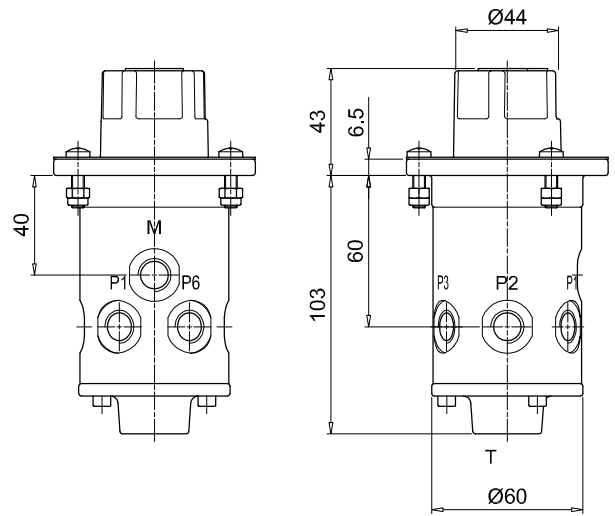
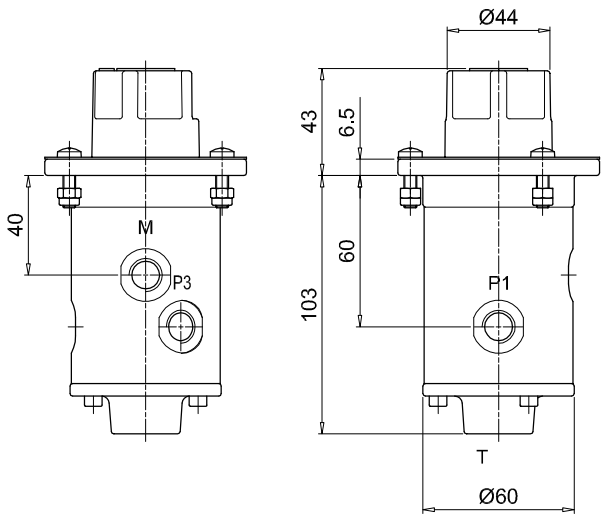
## Designation & Ordering code

### COMPLETE GAUGE ISOLATOR VALVE

Series	Configuration example :				
<b>SVM</b>	SVM	3	G1	A	P01
<b>Version</b>					
<b>3</b> Nr. 3 pressure ports					
<b>6</b> Nr. 6 pressure ports					
<b>Connection</b>					
<b>G1</b> G 1/4"					
<b>Seals</b>					
<b>A</b> NBR					
<b>Execution</b>					
<b>P01</b> MP Filtri standard					
<b>Pxx</b> Customized					

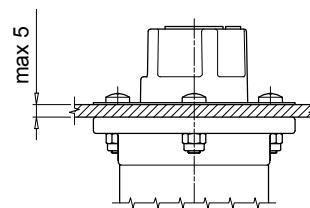
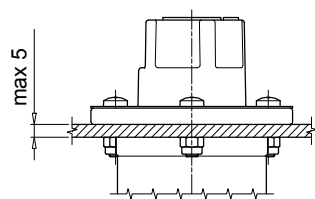
SVM  
version 3

SVM  
version 6



External mount

Internal mount



Holes on the panel

