

# FZX series

Maximum working pressure up to 100 Mpa (1000 bar) - Flow rate up to 10 l/min



## INSTALLATION, SERVICE AND MAINTENANCE MANUAL AND SAFETY INSTRUCTIONS



Please scan the QR codes  
to get updated electronic version  
of the related document.



## Description

## Technical data

### Stainless steel high pressure filters

#### In-line

**Maximum working pressure up to 100 Mpa (1000 bar)**

**Flow rate up to 10 l/min**

FZX is a range of stainless steel high pressure filter for protection of sensitive components in high pressure hydraulic systems placed in difficult environmental conditions.

They are directly connected to the lines of the system through the hydraulic fittings.

#### Available features:

- 1/2" female threaded connections, for a maximum flow rate of 10 l/min
- Fine filtration rating, to get a good cleanliness level into the system
- High collapse filter element "H", for use with filters not provided with bypass valve
- High collapse filter element "U", for use with aggressive fluids

#### Common applications:

- Off-shore equipment
- Water filtration systems
- Systems with strong or corrosive environmental conditions
- Systems with corrosive fluids

#### Filter housing materials

- Head: AISI 316L
- Housing: AISI 316L
- Bypass valve: AISI 316L

#### Seals

- Standard NBR series A (-25 °C to +110 °C)
- Optional FPM series V (-20 °C to +120 °C)
- Optional MFQ series F (-50 °C to +120 °C)

#### Bypass valve

Opening pressure 6 bar  $\pm$ 10%

#### Temperature

From -50 °C to +120 °C

#### Note

FZX filters are provided for vertical mounting

#### $\Delta p$ element type

Fluid flow through the filter element from OUT to IN

Microfibre filter elements - series H: 210 bar.

Element series "H":

- End cap: Tinned steel
- Core tube: Tinned steel
- External support: Wire mesh Epoxy painted
- Internal support: Wire mesh Stainless steel
- Media/Support/Pre-filter: Microfibre/Synthetic

Stainless Steel Microfibre filter elements series U: 210 bar.

Element series "U":

- End cap: Stainless steel
- Core tube: Stainless steel
- External support: Stainless steel
- Internal support: Stainless steel
- Media/Support/Pre-filter: Microfibre/Synthetic

## Weights [kg] and volumes [dm<sup>3</sup>]

Filter series	Weights [kg]					Volumes [dm <sup>3</sup> ]				
	Length	1	2	3	4	Length	1	2	3	4
<b>FZX 011</b>	-	-	6.5	-	-	-	-	0.15	-	-

Filter series	Length	Filter element design - H-U Series				
		A03	A06	A10	A16	A25
<b>FZX 011</b>	<b>3</b>	1.57	1.63	1.73	1.74	1.77

### Maximum flow rate for a complete stainless steel high pressure filter with a pressure drop $\Delta p = 1.5$ bar.

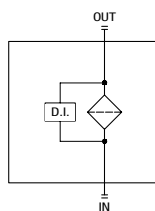
The reference fluid has a kinematic viscosity of 30 mm<sup>2</sup>/s (cSt) and a density of 0.86 kg/dm<sup>3</sup>.

For different pressure drop or fluid viscosity we recommend to use our selection software available on [www.mpfiltri.com](http://www.mpfiltri.com).

You can also calculate the right size using the formulas present on the FILTER SIZING paragraph at the beginning of the full catalogue or at the beginning of the filter family brochure. Please, contact our Sales Department for further additional information.

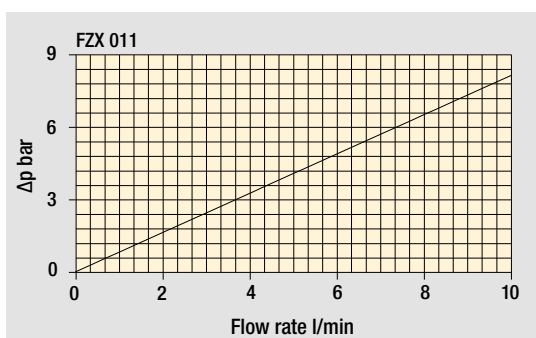
## Hydraulic symbols

Filter series	Style S
<b>FZX 011</b>	•



## Pressure drop

Filter housings  $\Delta p$  pressure drop



The curves are plotted using mineral oil with density of 0.86 kg/dm<sup>3</sup> in compliance with ISO 3968.  $\Delta p$  varies proportionally with density.

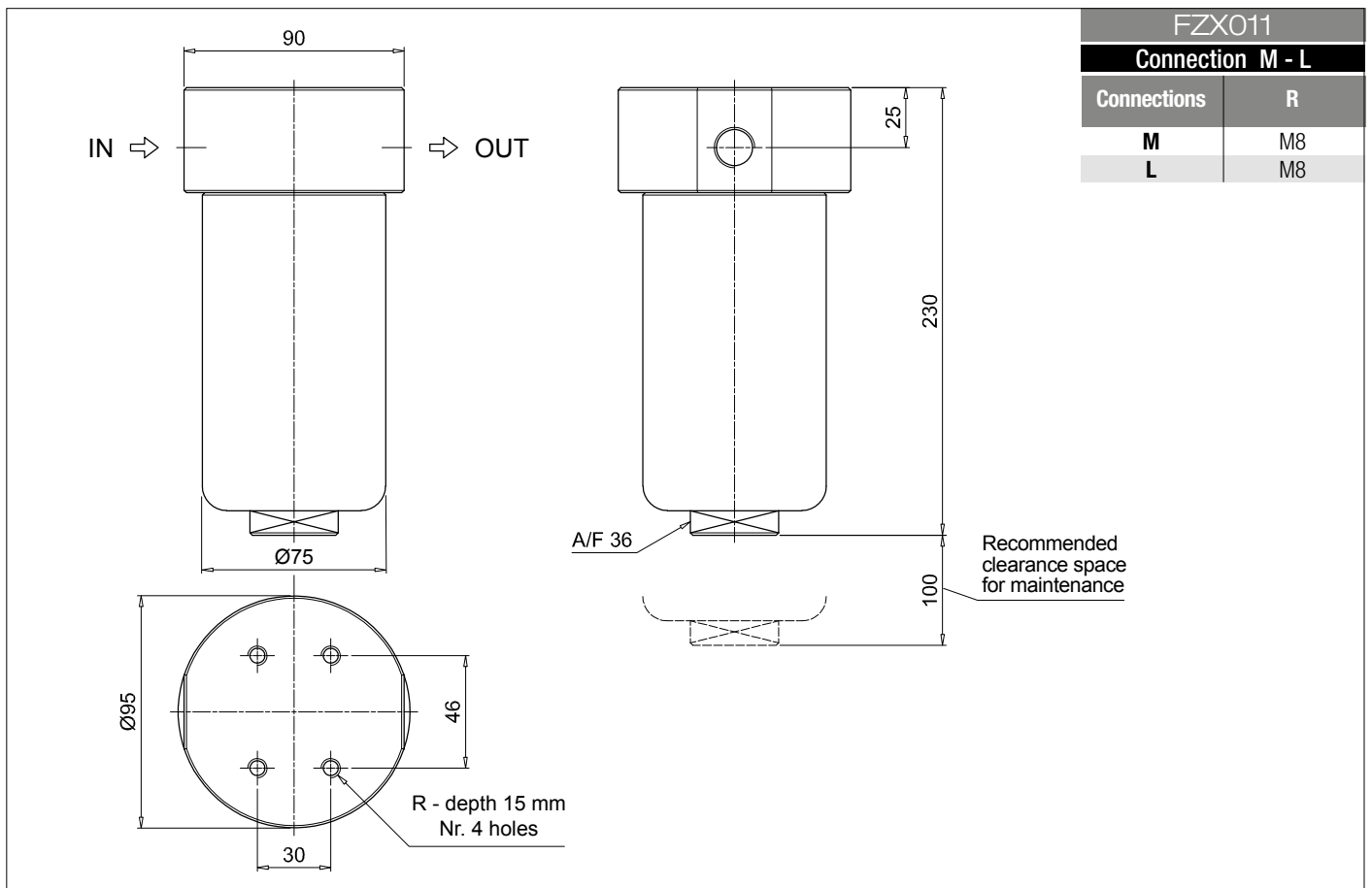
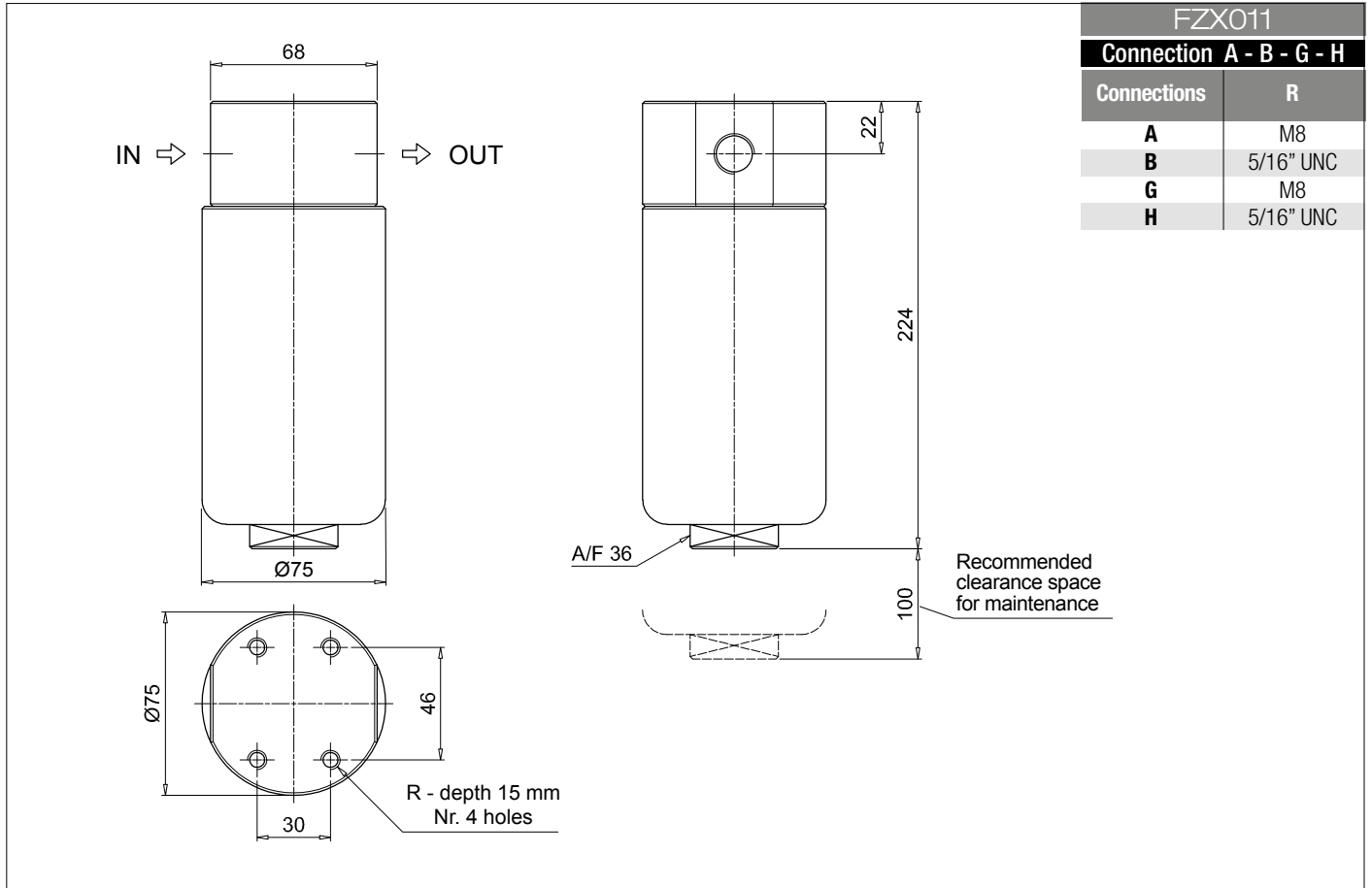
## Designation & Ordering code

### COMPLETE FILTER

<b>Filter series and size</b>	Configuration example: <b>FZX011</b>									
<b>FZX011</b>	<b>3</b>	<b>S</b>	<b>V</b>	<b>B</b>	<b>1</b>	<b>A03</b>	<b>U</b>	<b>P01</b>		
<b>Filter length</b>										
<b>3</b>										
<b>Bypass valve</b>										
<b>S Without bypass</b>										
<b>Seals</b>										
<b>A NBR</b>										
<b>V FPM</b>										
<b>F MFQ</b>										
<b>Connections</b>										
<b>700 bar</b>										
<b>A G 1/4"</b>										
<b>B 1/4" NPT</b>										
<b>G G 1/2"</b>										
<b>H 1/2" NPT"</b>										
<b>Autoclave 1000 bar</b>										
<b>M 9/16" - 18 UNF</b>										
<b>L 3/4" - 14 NPS</b>										
<b>Connection for differential pressure indicators</b>										
<b>1 Without connection</b>										
<b>Filtration rating (filter media)</b>										
<b>A03 Inorganic microfiber 3 µm</b>										
<b>A06 Inorganic microfiber 6 µm</b>										
<b>A10 Inorganic microfiber 10 µm</b>										
<b>A16 Inorganic microfiber 16 µm</b>										
<b>A25 Inorganic microfiber 25 µm</b>										
<b>Element Δp</b>										
<b>H 210 bar</b>										
<b>U 210 bar, stainless steel filter element</b>										
								<b>Execution</b>		
								<b>P01 MP Filtri standard</b>		
								<b>Pxx Customized</b>		

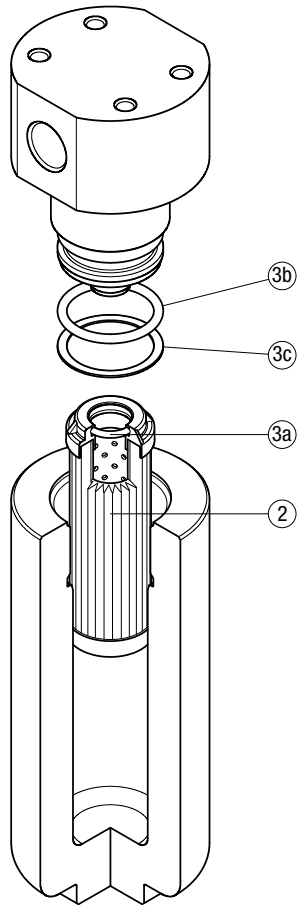
### FILTER ELEMENT

<b>Element series and size</b>	Example: <b>HP011</b>					
<b>HP011</b>	<b>3</b>	<b>A03</b>	<b>V</b>	<b>U</b>	<b>P01</b>	
<b>Element length</b>						
<b>3</b>						
<b>Filtration rating (filter media)</b>						
<b>A03 Inorganic microfiber 3 µm</b>						
<b>A06 Inorganic microfiber 6 µm</b>						
<b>A10 Inorganic microfiber 10 µm</b>						
<b>A16 Inorganic microfiber 16 µm</b>						
<b>A25 Inorganic microfiber 25 µm</b>						
<b>Seals</b>						
<b>A NBR</b>						
<b>V FPM</b>						
<b>F MFQ</b>						
<b>Element Δp</b>						
<b>H 210 bar</b>						
<b>U 210 bar, stainless steel filter element</b>						
					<b>Execution</b>	
					<b>P01 MP Filtri standard</b>	
					<b>Pxx Customized</b>	



Order number for spare parts

**FZX 011**



Item:	Q.ty: 1 pc.	Q.ty: 1 pc.	
Filter series	Filter element	Seal Kit code number	
FZX 011	See order table	NBR	FPM
	<b>2</b>	02050643	02050644
		<b>3</b> (3a + 3c)	

