

FRI series

Maximum working pressure up to 2 MPa (20 bar) - Flow rate up to 2500 l/min



Description

Technical data

Return filter

Maximum working pressure up to 2 MPa (20 bar)
Flow rate up to 2500 l/min

FRI is a range of return filters for protection of the reservoir against the system contamination.

They could be directly fixed to the reservoir in immersed or semi-immersed position or connected to the lines of the system through the hydraulic fittings.

The filter output must be always immersed into the fluid to avoid aeration or foam generation into the reservoir.

Available features:

- Female threaded connections up to 2 1/2" and flanged connections up to 3 1/2", for a maximum flow rate of 2500 l/min
- Double input connections, to connect several return lines or drains
- Fine filtration rating, to get a good cleanliness level into the reservoir
- Bypass valve, to relieve excessive pressure drop across the filter media
- Visual, electrical and electronic differential clogging indicators

Common applications:

Heavy duty industrial equipment

Filter housing materials

- Filter body
 - Aluminium: FRI 255
 - Anodized Aluminium: FRI 025-040-100-250-630
 - Phosphatized Steel: FRI 850
- Cover
 - Polyamide, GF reinforced: FRI 255
 - Anodized Aluminium: FRI 025-040-100-250-630-850
- Valve: Polyamide, GF reinforced - Steel

Bypass valve

Opening pressure 240 kPa (2.4 bar) ±10%

Δp element type

- Microfibre filter elements - series N: 10 bar
- Fluid flow through the filter element from OUT to IN

Seals

- Standard NBR series A
- Optional FPM series V

Temperature

From -25 °C to +110 °C

Note

FRI filters are provided for vertical mounting

Weights [kg] and volumes [dm³]

Filter series	Weights [kg]		Volumes [dm ³]	
	Length	1	Length	1
FRI 025		1.0		0.28
FRI 040		2.0		0.70
FRI 100		3.8		1.09
FRI 250		6.3		2.60
FRI 255		4.2		3.20
FRI 630		13.8		7.05
FRI 850		48.0		21.50

Flow rates [l/min]

Filter series	Length	Filter element design - N Series							
		A03	A06	A10	A16	A25	M25 M60 M90	P10	P25
FRI 025	1	6	10	17	19	43	122	43	47
FRI 040	1	19	23	43	45	94	155	94	102
FRI 100	1	32	34	89	92	187	260	187	206
FRI 250	1	144	179	271	300	448	645	448	490
FRI 255	1	144	179	271	300	448	645	448	490
FRI 630	1	242	279	508	577	834	1446	834	911
FRI 850	1	440	541	971	1143	1705	2528	1705	1880

Maximum flow rate for a complete return filter with a pressure drop $\Delta p = 0.5$ bar.

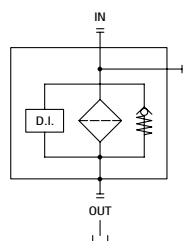
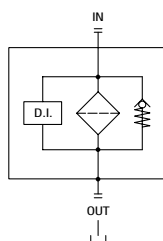
The reference fluid has a kinematic viscosity of 30 mm²/s (cSt) and a density of 0.86 kg/dm³.

For different pressure drop or fluid viscosity we recommend to use our selection software available on www.mpfiltri.com.

You can also calculate the right size using the formulas present on the FILTER SIZING paragraph at the beginning of the full catalogue or at the beginning of the filter family brochure. Please, contact our Sales Department for further additional information.

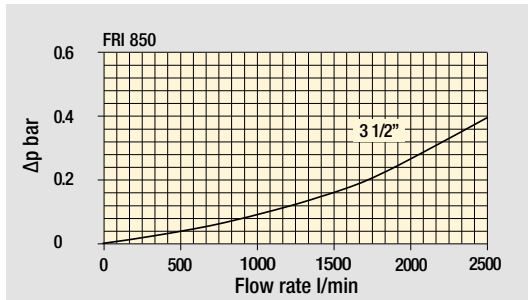
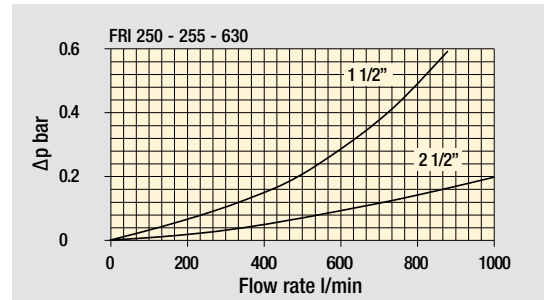
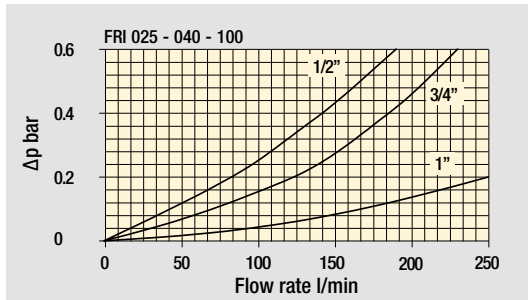
Hydraulic symbols

Filter series	Style 1 connection + Diff. indic.	Style 2 connections + Diff. indic.
FRI 025		•
FRI 040		•
FRI 100		•
FRI 250		•
FRI 255	•	
FRI 630		•
FRI 850	•	

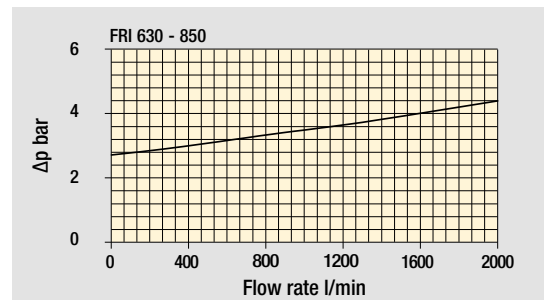
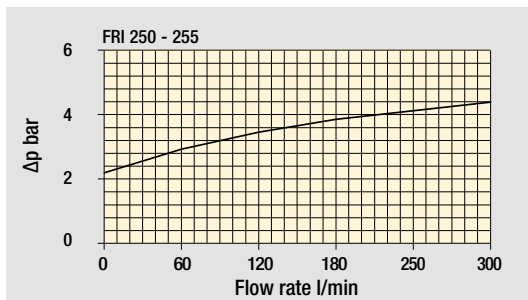
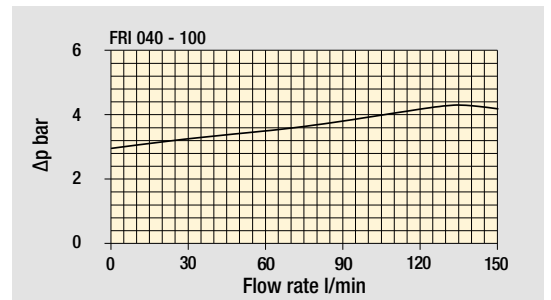
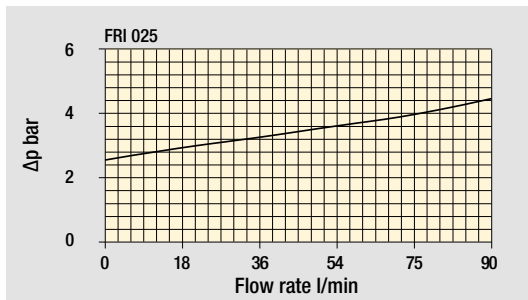


Pressure drop

Filter housings Δp pressure drop



Bypass valve pressure drop



The curves are plotted using mineral oil with density of 0.86 kg/dm³ in compliance with ISO 3968. Δp varies proportionally with density.

Designation & Ordering code

COMPLETE FILTER

Series and size	Configuration example 1: FRI025 B A G1 A25 N P01						
FRI025	Configuration example 2: FRI040 S V G2 M25 N P01						
FRI040							
Bypass valve							
B With bypass 2.4 bar							
S Without bypass							
Seals and treatments							
A NBR							
V FPM							
Connections for FRI025	Connections for FRI040						
G1 G 1/2"	G 3/4"						
G2 1/2" NPT	3/4" NPT						
G3 SAE 8 - 3/4" - 16 UNF	SAE 12 - 1 1/16" - 12 UN						
Filtration rating (filter media)							
A03 Inorganic microfiber 3 µm	M25 Wire mesh 25 µm						
A06 Inorganic microfiber 6 µm	M60 Wire mesh 60 µm						
A10 Inorganic microfiber 10 µm	M90 Wire mesh 90 µm						
A16 Inorganic microfiber 16 µm	P10 Resin impregnated paper 10 µm						
A25 Inorganic microfiber 25 µm	P25 Resin impregnated paper 25 µm						
	Element Δp			Execution			
	N 10 bar			P01 MP Filtri standard			
				Pxx Customized			

FILTER ELEMENT

Element series and size	Configuration example 1: CU025 A25 N P01			
CU025	Configuration example 2: CU040 M25 V P01			
CU040				
Filtration rating (filter media)				
A03 Inorganic microfiber 3 µm	M25 Wire mesh 25 µm			
A06 Inorganic microfiber 6 µm	M60 Wire mesh 60 µm			
A10 Inorganic microfiber 10 µm	M90 Wire mesh 90 µm			
A16 Inorganic microfiber 16 µm	P10 Resin impregnated paper 10 µm			
A25 Inorganic microfiber 25 µm	P25 Resin impregnated paper 25 µm			
Seals and treatments				
N NBR				
V FPM				
	Execution			
	P01 MP Filtri standard			
	Pxx Customized			

CLOGGING INDICATORS

See page 720-721

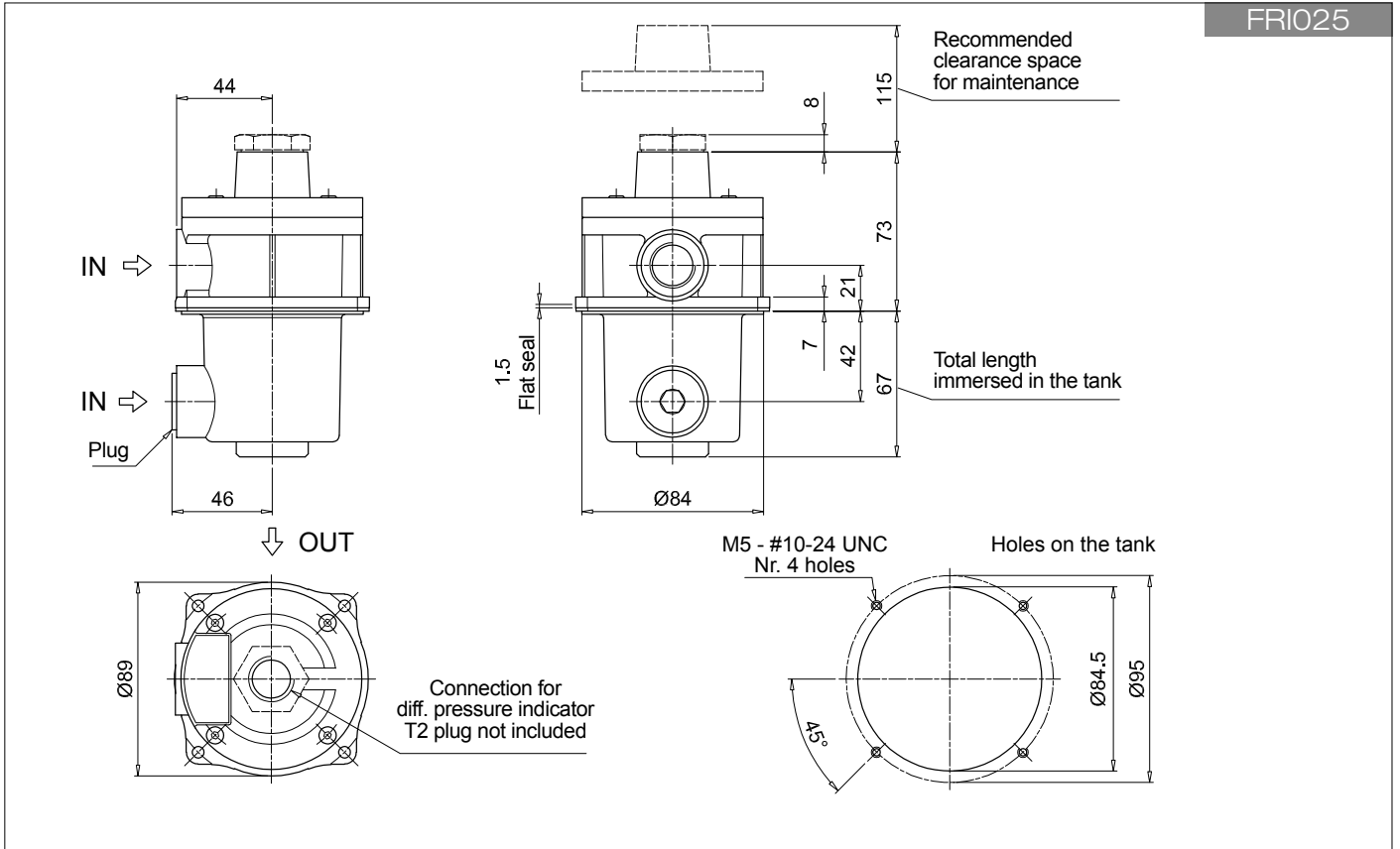
DEA Electrical differential pressure indicator	DLE Electrical / visual differential pressure indicator
DEM Electrical differential pressure indicator	DTA Electronic differential pressure indicator
DEU Electrical differential pressure indicator	DVA Visual differential pressure indicator
DLA Electrical / visual differential pressure indicator	DVM Visual differential pressure indicator

PLUGS

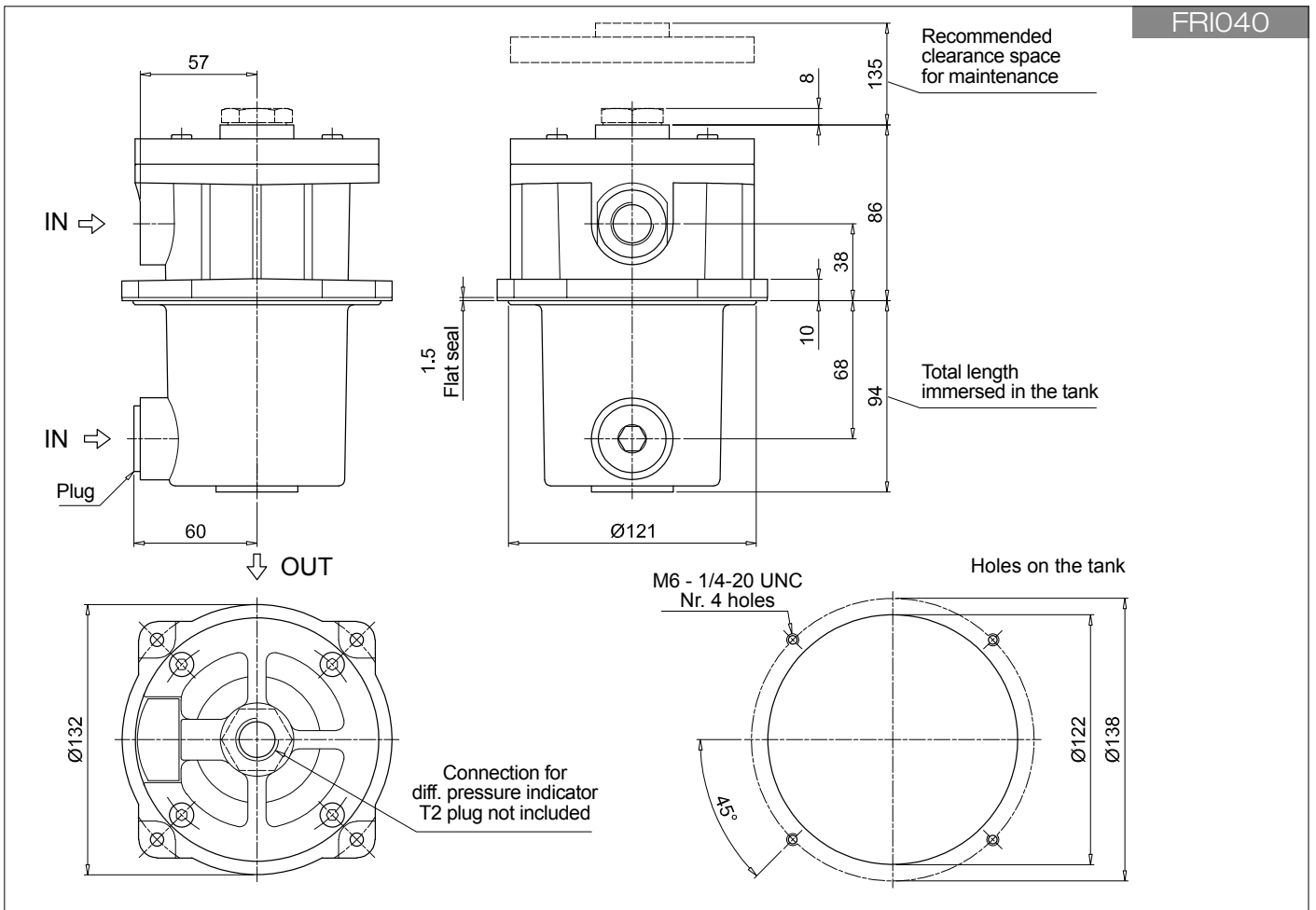
See page 747

T2 Plug (not included)

FRI025



FRI040



FRI FRI100 - FRI250 - FRI630

Designation & Ordering code

COMPLETE FILTER

Series and size	Configuration example 1: FRI100 B A G1 A25 N P01						
FRI100	Configuration example 2: FRI630 S V F2 M25 N P01						
FRI250							
FRI630							
Bypass valve							
B With bypass 2.4 bar							
S Without bypass							
Seals and treatments							
A NBR							
V FPM							
Connections for FRI100	Connections for FRI250	Connections for FRI630					
G1 G 1"	G 1 1/2"	G 2 1/2"					
G2 1" NPT	1 1/2" NPT	2 1/2" NPT					
G3 SAE 16 - 1 5/16" - 12 UN	SAE 24 - 1 7/8" - 12 UN	SAE 32 - 2 1/2" - 12 UN					
F1 1" SAE 3000 psi/M	1 1/2" SAE 3000 psi/M	2 1/2" SAE 3000 psi/M					
F2 1" SAE 3000 psi/UNC	1 1/2" SAE 3000 psi/UNC	2 1/2" SAE 3000 psi/UNC					
Filtration rating (filter media)							
A03 Inorganic microfiber 3 µm	M25 Wire mesh 25 µm						
A06 Inorganic microfiber 6 µm	M60 Wire mesh 60 µm						
A10 Inorganic microfiber 10 µm	M90 Wire mesh 90 µm						
A16 Inorganic microfiber 16 µm	P10 Resin impregnated paper 10 µm						
A25 Inorganic microfiber 25 µm	P25 Resin impregnated paper 25 µm						
	Element Δp		Execution				
	N 10 bar		P01 MP Filtri standard				
			Pxx Customized				

FILTER ELEMENT

Element series and size	Configuration example 1: CU100 A25 N P01			
CU100	Configuration example 2: CU630 M25 V P01			
CU250				
CU630				
Filtration rating (filter media)				
A03 Inorganic microfiber 3 µm	M25 Wire mesh 25 µm			
A06 Inorganic microfiber 6 µm	M60 Wire mesh 60 µm			
A10 Inorganic microfiber 10 µm	M90 Wire mesh 90 µm			
A16 Inorganic microfiber 16 µm	P10 Resin impregnated paper 10 µm			
A25 Inorganic microfiber 25 µm	P25 Resin impregnated paper 25 µm			
Seals and treatments				
N NBR				
V FPM				
	Execution			
	P01 MP Filtri standard			
	Pxx Customized			

CLOGGING INDICATORS

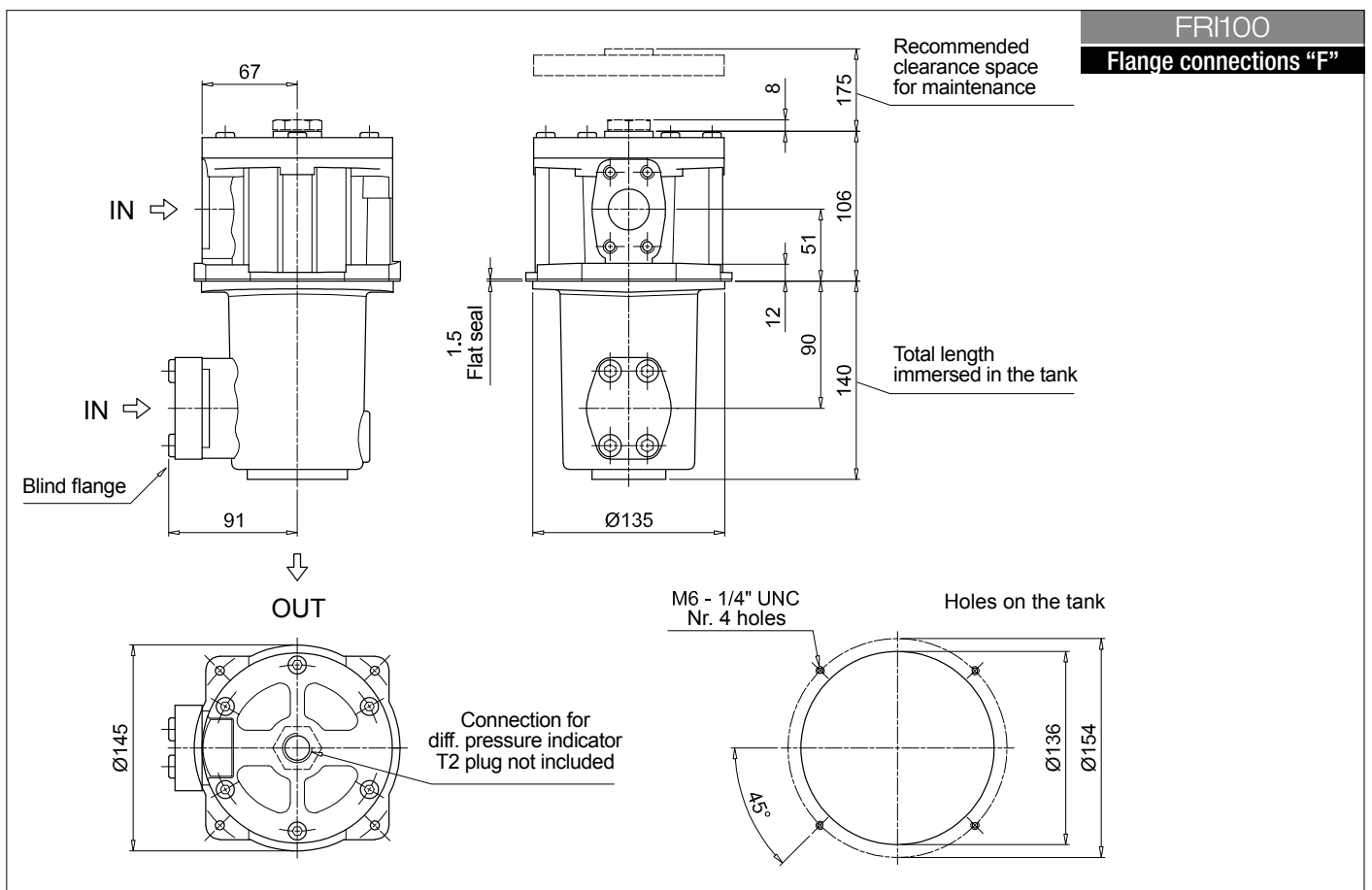
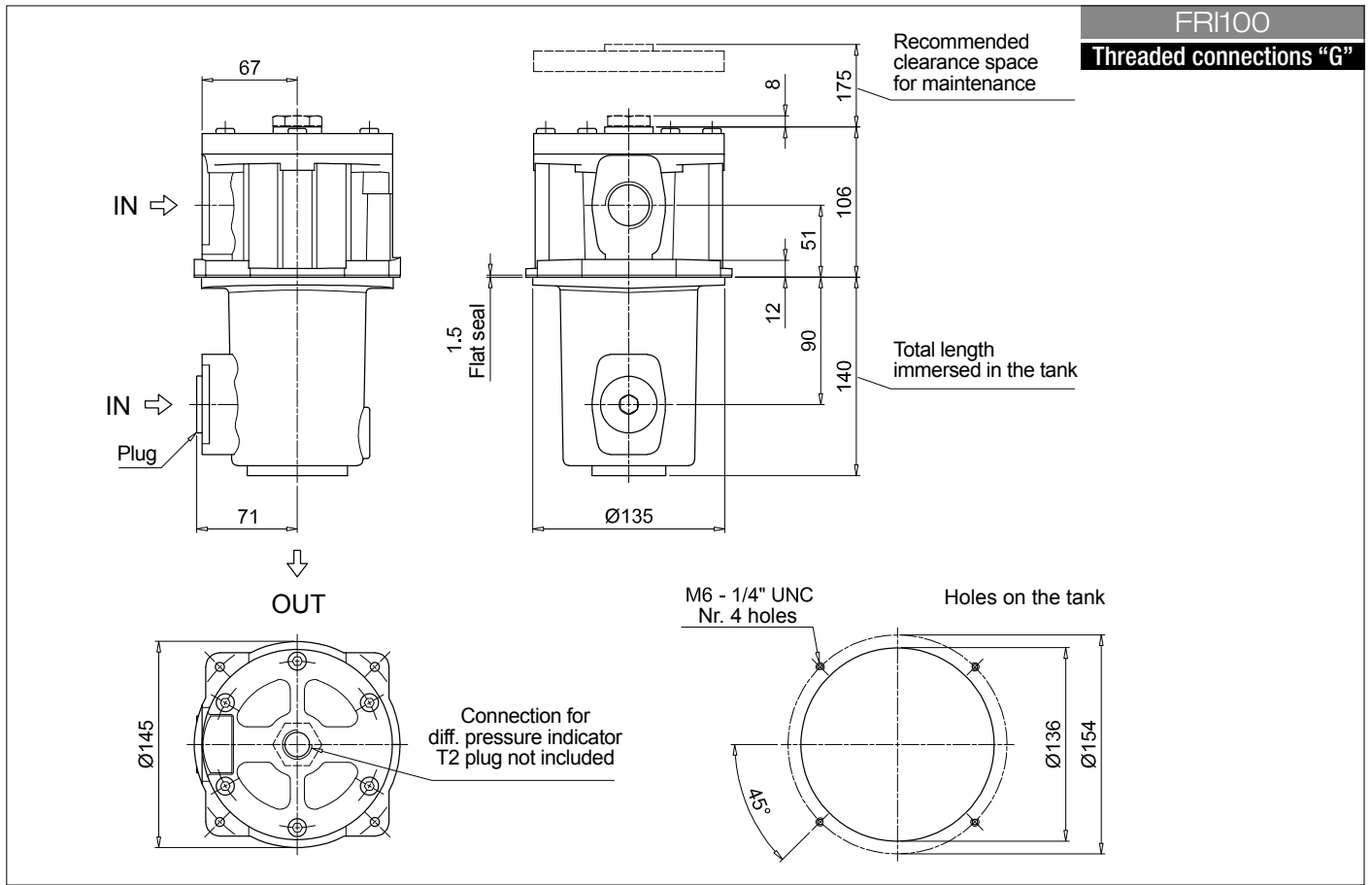
See page 720-721

DEA Electrical differential pressure indicator	DLE Electrical / visual differential pressure indicator
DEM Electrical differential pressure indicator	DTA Electronic differential pressure indicator
DEU Electrical differential pressure indicator	DVA Visual differential pressure indicator
DLA Electrical / visual differential pressure indicator	DVM Visual differential pressure indicator

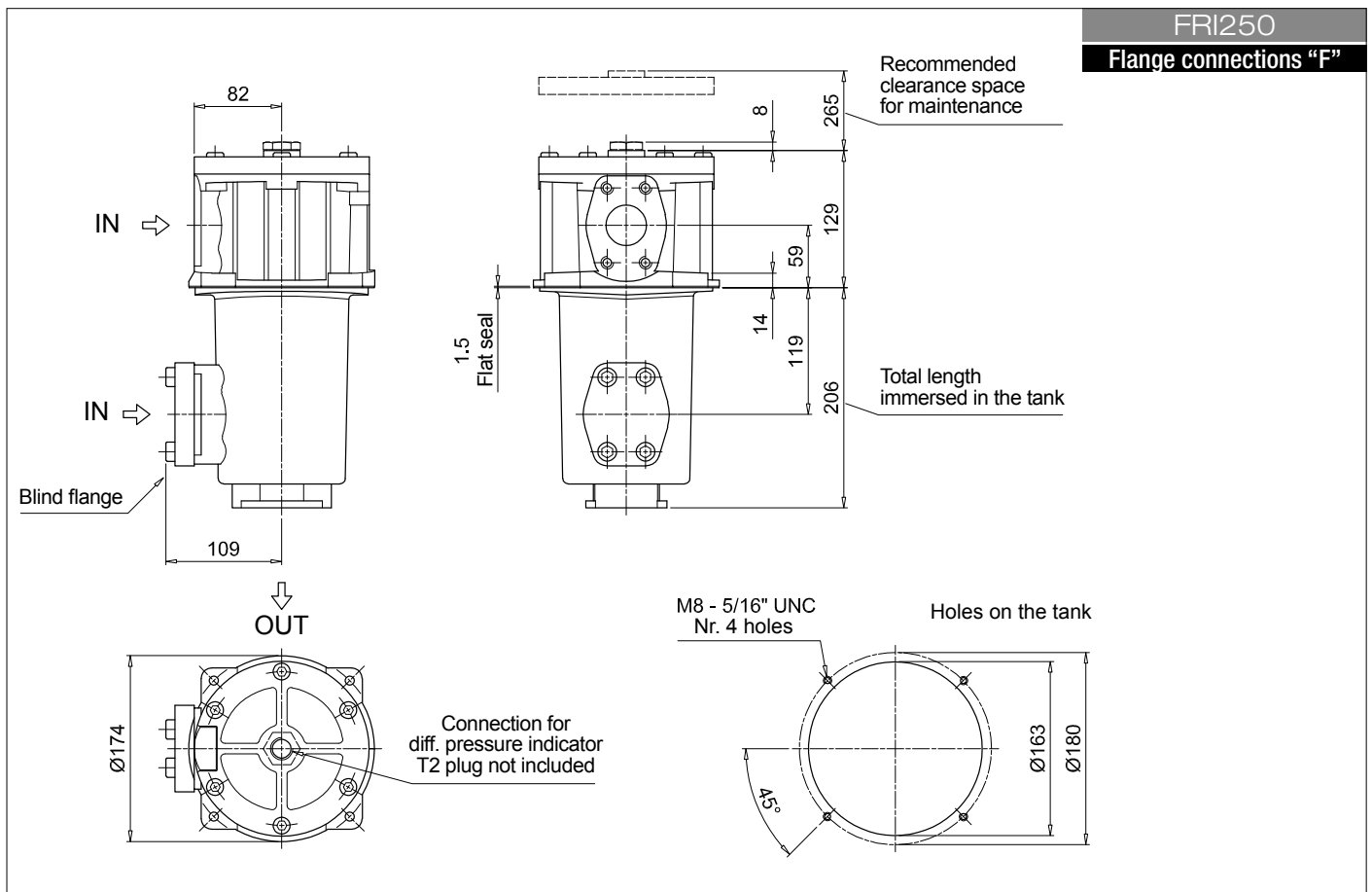
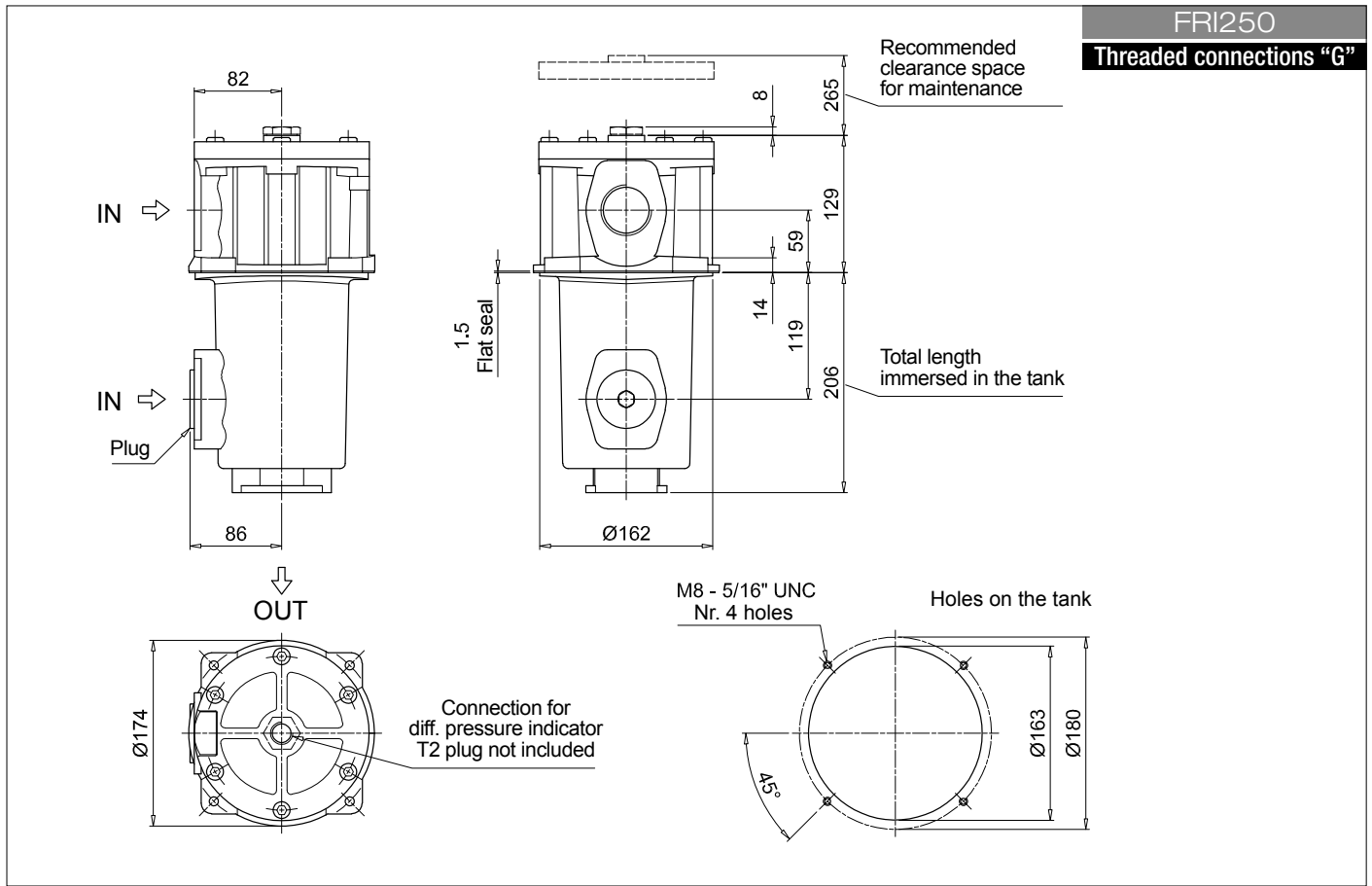
PLUGS

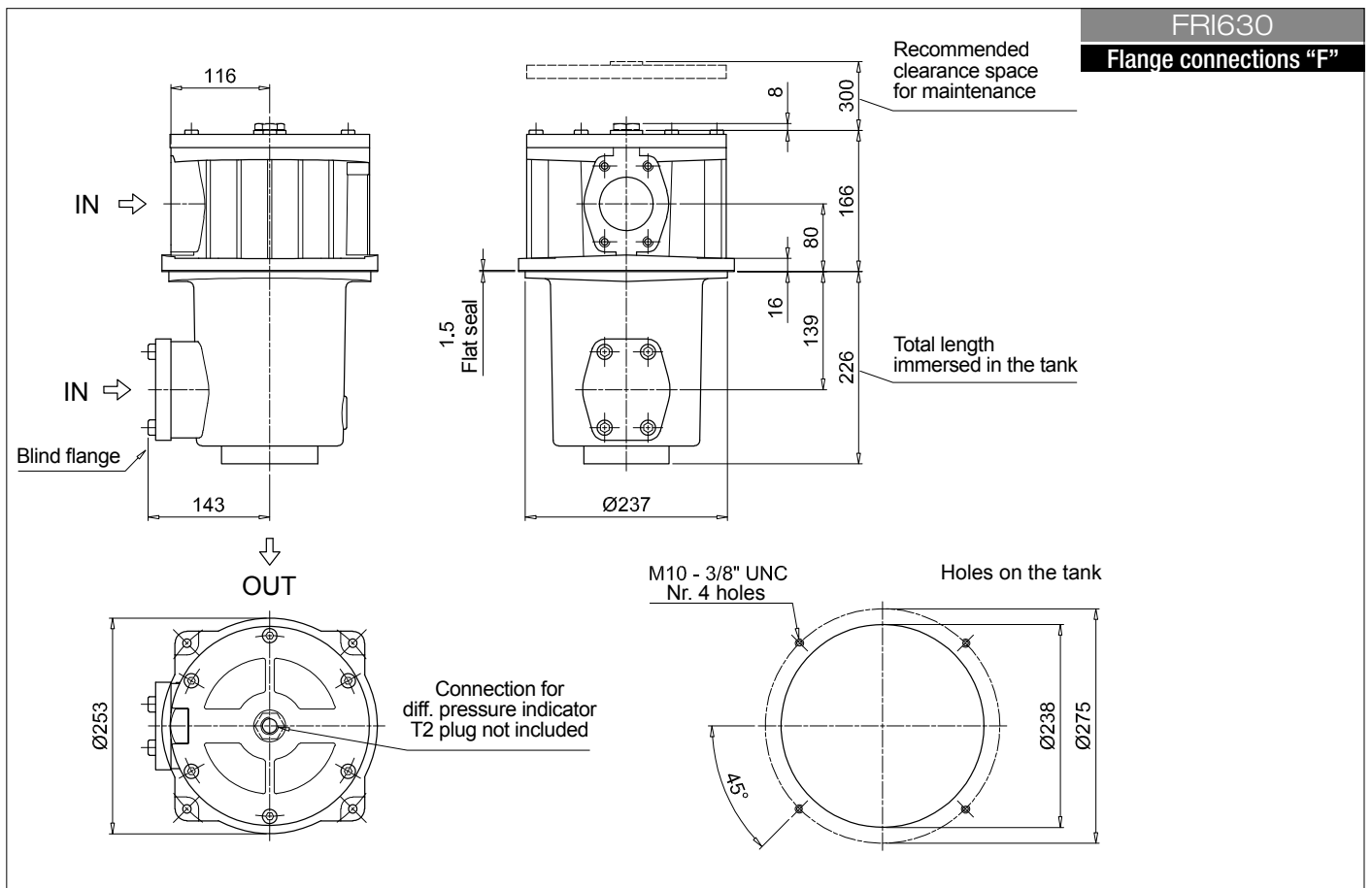
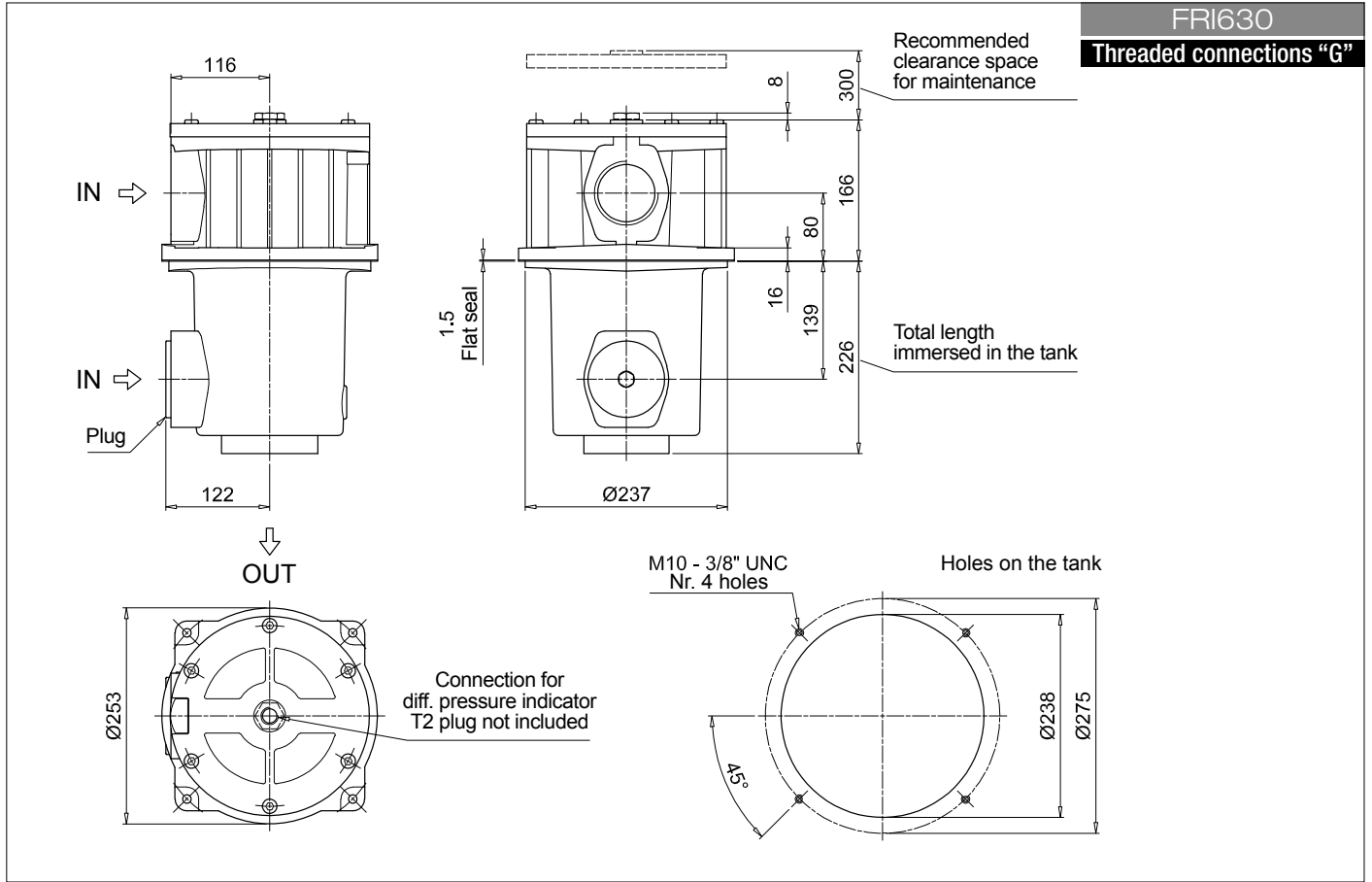
See page 747

T2 Plug (not included)



Dimensions





Designation & Ordering code

COMPLETE FILTER

Series and size	Configuration example 1: FRI255 S V F2 M25 N P01						
FRI255	Configuration example 2: FRI850 B A F1 A25 V P01						
FRI850							
Bypass valve							
B With bypass 2.4 bar							
S Without bypass							
Seals for FRI255	Seals and treatments for FRI850	Filtration rating					
A NBR	A NBR	Axx	Mxx	Pxx			
V FPM	V FPM	•	•	•			
	W NBR head anodized	•	•	-			
	Z FPM head anodized	•	•	-			
Connections for FRI255	Connections for FRI850						
G1 G 1 1/2"	F1 3 1/2" SAE 3000 psi/M						
G2 1 1/2" NPT	F2 3 1/2" SAE 3000 psi/UNC						
G3 SAE 24 - 1 7/8" - 12 UN							
G4 G 1 1/4"							
G5 1 1/4" NPT							
G6 SAE 20 - 1 5/8" - 12 UN							
F1 1 1/2" SAE 3000 psi/M							
F2 1 1/2" SAE 3000 psi/UNC							
Filtration rating (filter media)							
A03 Inorganic microfiber 3 µm	M25 Wire mesh 25 µm						
A06 Inorganic microfiber 6 µm	M60 Wire mesh 60 µm						
A10 Inorganic microfiber 10 µm	M90 Wire mesh 90 µm						
A16 Inorganic microfiber 16 µm	P10 Resin impregnated paper 10 µm						
A25 Inorganic microfiber 25 µm	P25 Resin impregnated paper 25 µm						
		Element Δp			Execution		
		N 10 bar			P01 MP Filtri standard		
					Pxx Customized		

FILTER ELEMENT

Element series and size	Configuration example 1: CU250 M25 V P01			
CU250	Configuration example 2: CU850 A25 N P01			
CU850				
Filtration rating (filter media)				
A03 Inorganic microfiber 3 µm	M25 Wire mesh 25 µm			
A06 Inorganic microfiber 6 µm	M60 Wire mesh 60 µm			
A10 Inorganic microfiber 10 µm	M90 Wire mesh 90 µm			
A16 Inorganic microfiber 16 µm	P10 Resin impregnated paper 10 µm			
A25 Inorganic microfiber 25 µm	P25 Resin impregnated paper 25 µm			
Seals for FRI255	Seals and treatments for FRI850	Filtration rating		
N NBR	N NBR	Axx	Mxx	Pxx
V FPM	V FPM	•	•	•
	W NBR head anodized	•	•	-
	Z FPM head anodized	•	•	-
		Execution		
		P01 MP Filtri standard		
		Pxx Customized		

FRI255 CLOGGING INDICATORS

See page 720-721

BVA Axial pressure gauge
BVR Radial pressure gauge
BVP Visual pressure indicator with automatic reset
BVQ Visual pressure indicator with manual reset

BEA Electrical pressure indicator
BEM Electrical pressure indicator
BLA Electrical / visual pressure indicator

FRI850 CLOGGING INDICATORS

See page 720-721

DEA Electrical differential pressure indicator
DEM Electrical differential pressure indicator
DLA Electrical / visual differential pressure indicator
DLE Electrical / visual differential pressure indicator

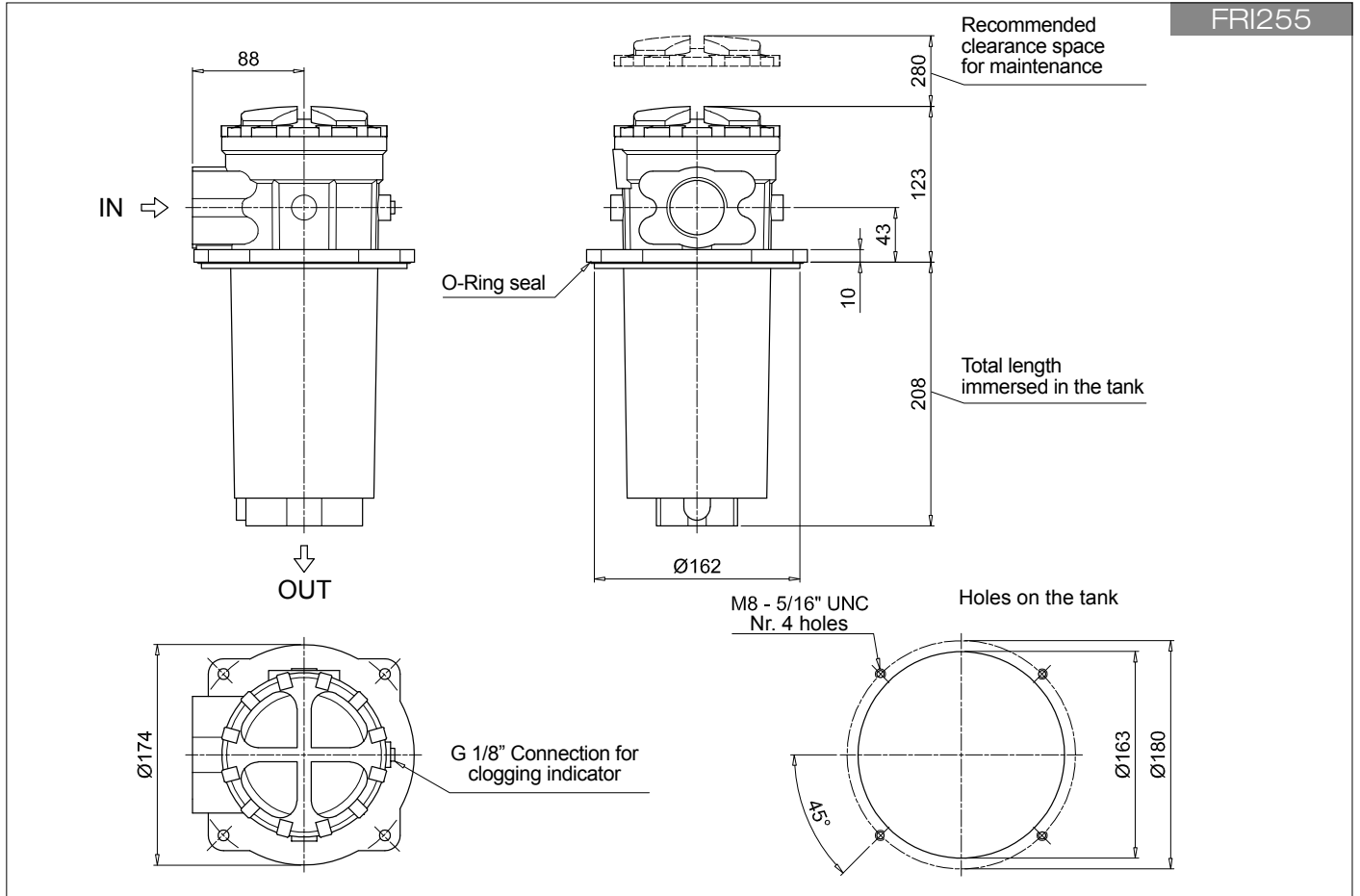
DTA Electrical differential pressure indicator
DVA Visual differential pressure indicator
DVM Visual differential pressure indicator

PLUGS

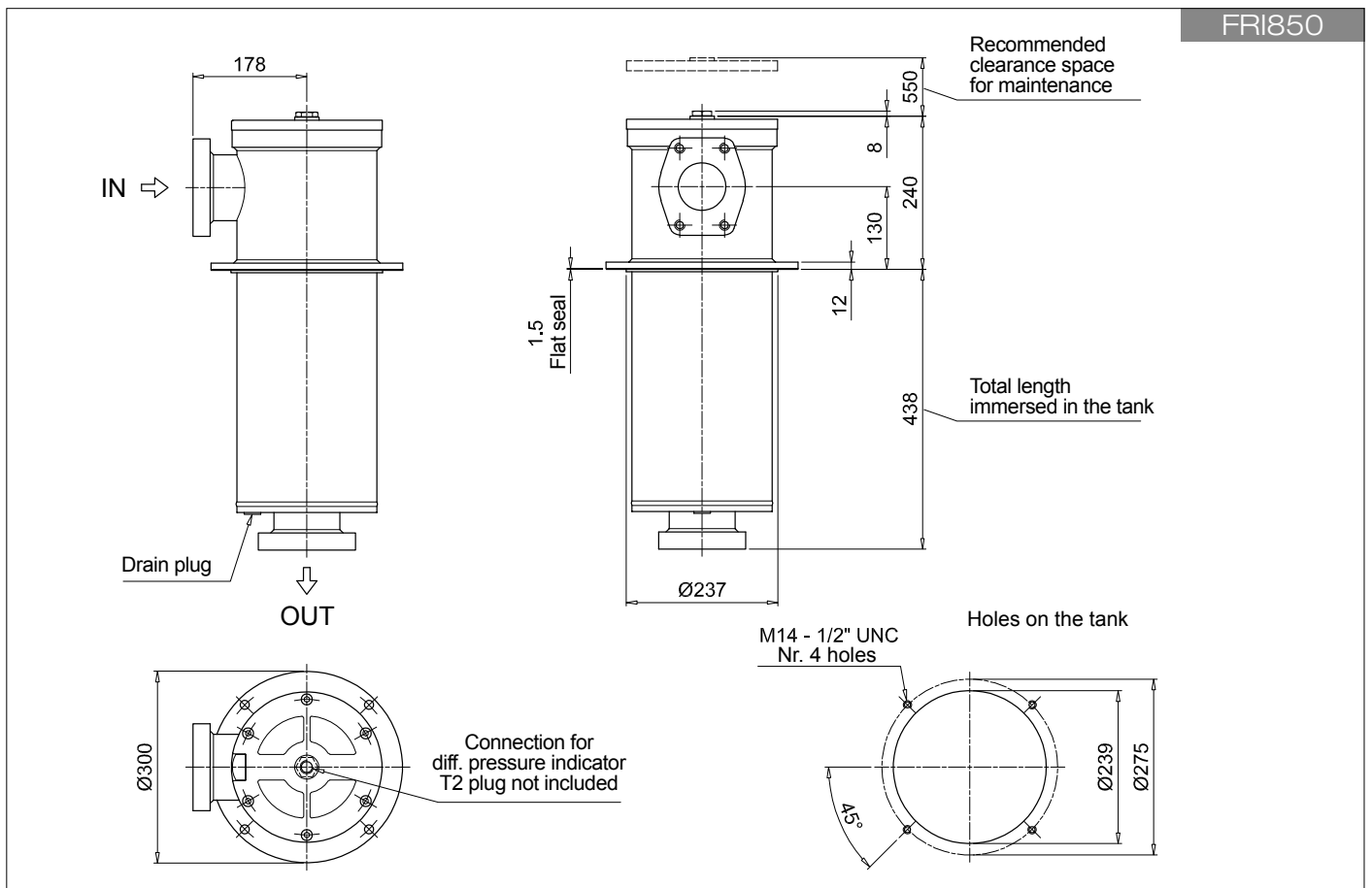
See page 747

T2 Plug (not included)

FRI255



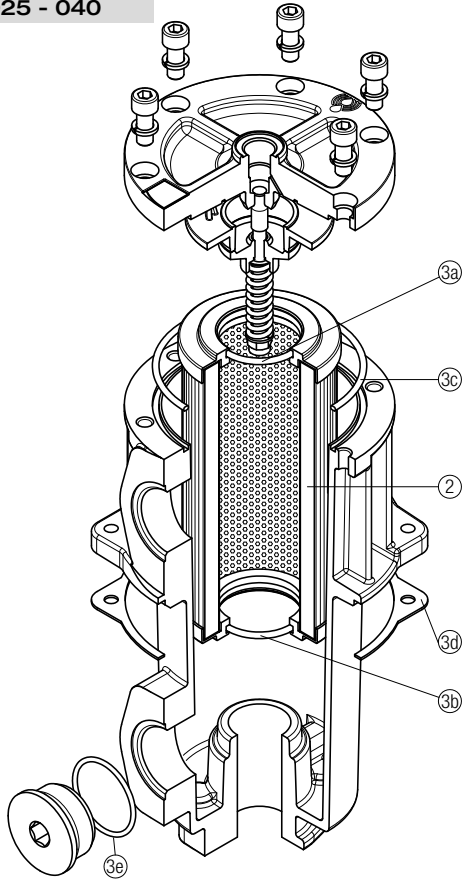
FRI850



FRI SPARE PARTS

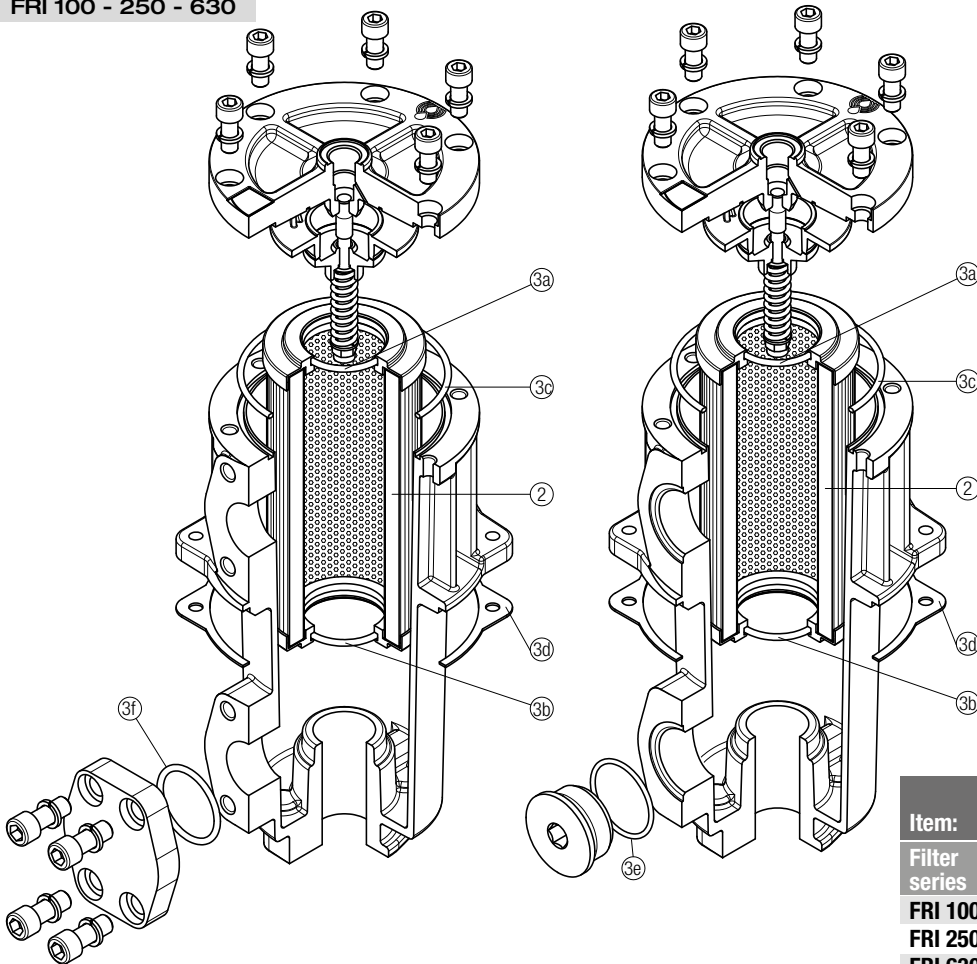
Order number for spare parts

FRI 025 - 040



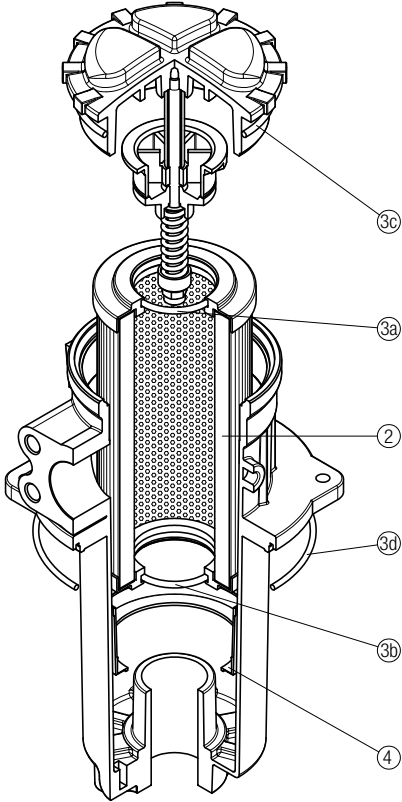
Item:	Q.ty: 1 pc.	Q.ty: 1 pc.	
	2	3 (3a ÷ 3e)	
Filter series	Filter element	Seal Kit code number	
		NBR	FPM
FRI 025	See order table	02050213	02050220
FRI 040		02050214	02050221

FRI 100 - 250 - 630



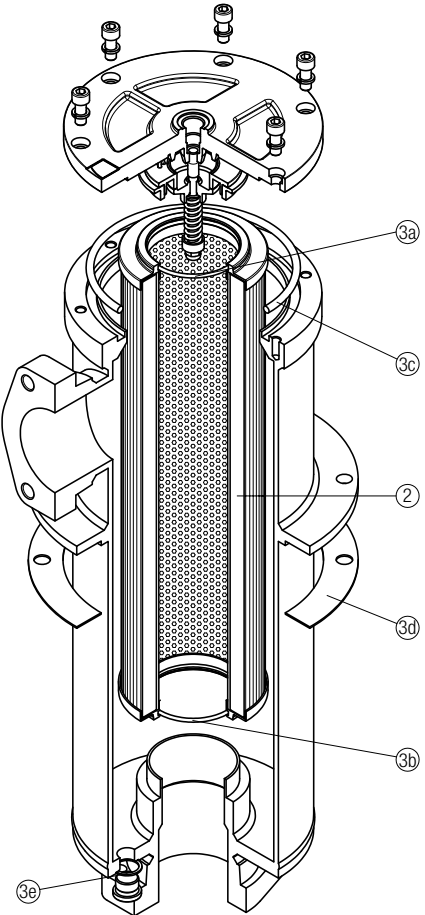
Item:	Q.ty: 1 pc.	Q.ty: 1 pc.	
	2	3 (3a ÷ 3f)	
Filter series	Filter element	Seal Kit code number	
		NBR	FPM
FRI 100	See order table	02050215	02050222
FRI 250		02050216	02050223
FRI 630		02050217	02050224

FRI 255



Item:	Q.ty: 1 pc.	Q.ty: 1 pc.	Q.ty: 1 pc.
	2	3 (3a ÷ 3d)	
		4	
Filter series	Filter element	Seal Kit code number	
	See order table	NBR	FPM
FRI 255		02050013	02050014
		Contamination retainer binder	
		01060301	

FRI 850



Item:	Q.ty: 1 pc.	Q.ty: 1 pc.
	2	3 (3a ÷ 3e)
Filter series	Filter element	Seal Kit code number
	See order table	NBR
FRI 850		02050218
		FPM
		02050225

Designation & Ordering code

BAROMETRIC (PRESSURE) INDICATORS

Series	Configuration example 1: BE A 15 H A 41 P01 EX									
BE Electrical pressure indicator	Configuration example 2: BL A 20 H A 71 P01									
BL Electrical/Visual pressure indicator	Configuration example 3: BV R 14 P01									
BV Visual pressure indicator	Configuration example 4: BV P 20 H P01									
Type	BE	BL	BV							
A Standard type	•	•	A Axial connection pressure gauge							
M With wired electrical connection	•	-	R Radial connection pressure gauge							
T With thermal switch	•	-	P Visual indicator with automatic reset							
			Q Visual indicator with manual reset							
Pressure setting	BEA-BEM	BET	BLA	BVA-BVR	BVP-BVQ					
14 1.4 bar	-	-	-	•	-					
15 1.5 bar	•	-	•	-	•					
20 2.0 bar	•	•	•	-	•					
25 2.5 bar	-	•	-	•	-					
Seals	BE	BLA	BVA-BVR	BVP-BVQ						
H HNBR	•	•	-	•						
Thermostat	BEA-BEM	BET	BLA							
A Without thermostat	•	-	•							
F With thermostat	-	•	-							
Electrical connections	BEA	BEM	BET	BL						
10 Connection AMP Superseal series 1,5	-	-	•	-						
30 Connection Deutsch DT-04-2-P	-	-	•	-						
41 Connection via four-core cable	-	•	-	-						
50 Connection EN 175301-803	•	-	-	-						
51 Connection EN 175301-803, transparent base with lamps 24 Vdc	-	-	-	•						
52 Connection EN 175301-803, transparent base with lamps 110 Vdc	-	-	-	•						
53 Connection EN 175301-803, transparent base with lamps 230 Vac	-	-	-	•						
71 Connection IEC 61076-2-101 D (M12), black base with lamps 24 Vdc	-	-	-	•						
Option										
P01 MP Filtri standard										
Pxx Customized										
Certifications	BEA	BEM-BET	BL	BV						
Without	•	•	•	•						
EX ATEX certification	•	-	-	-						
UL UL certification	•	-	-	-						

DIFFERENTIAL PRESSURE INDICATORS

Series	Configuration example 1:	DE	M	20	H	F	50	P01	
DE Electrical differential pressure indicator	Configuration example 2:	DE	U	50	V	A	50	P01	UL
DL Electrical/Visual differential pressure indicator	Configuration example 3:	DL	E	20	V	A	71	P01	
DT Electrical differential pressure indicator	Configuration example 4:	DT	A	20	H	F	70	P01	
DV Visual differential pressure indicator	Configuration example 5:	DV	M	20	V			P01	

Type	DE	DL	DT
A Standard type	•	•	•
M With wired electrical connection	•	-	-
U Standard type 210 bar, UL certified	•	-	-
E For high power supply	-	•	-
S Compact version	•	-	-

DV
A With automatic reset
M With manual reset
S With automatic reset

Pressure setting	DEA	DEM	DEU	DES	DL	DT	DVA	DVM	DVS
12 1.2 bar	-	-	-	•	-	-	-	-	•
20 2.0 bar	•	•	•	-	•	•	•	•	-
25 2.5 bar	-	-	-	•	-	-	-	-	•

Seals	DEA	DEM	DEU	DES	DL	DT	DVA	DVM	DVS
H HNBR	•	•	-	•	•	•	•	•	•
V FPM	•	•	•	-	•	•	•	•	-

Thermostat	DEA	DEM	DEU	DES	DLA	DLE	DT
A Without thermostat	•	•	•	•	•	•	-
F With thermostat	-	•	-	-	-	•	•

Electrical connections	DEA	DEM	DEU	DES	DLA	DLE	DT
10 Connection AMP Superseal series 1.5	-	•	-	•	-	-	-
20 Connection AMP Timer Junior	-	•	-	-	-	-	-
30 Connection Deutsch DT-04-2-P	-	•	-	•	-	-	-
35 Connection Deutsch DT-04-3-P	-	•	-	-	-	-	-
50 Connection EN 175301-803	•	-	•	-	-	•	-
51 Connection EN 175301-803, transparent base with lamps 24 Vdc	-	-	-	-	•	-	-
52 Connection EN 175301-803, transparent base with lamps 110 Vdc	-	-	-	-	•	-	-
70 Connection IEC 61076-2-101 D (M12)	-	-	-	-	-	-	•
71 Connection IEC 61076-2-101 D (M12), black base with lamps 24 Vdc	-	-	-	-	•	-	-
80 Connection Stud #10-32 UNF	-	-	-	•	-	-	-

Option
P01 MP Filtri standard
Pxx Customized

Certifications	DEU	OTHERS
Without	-	•
UL UL certification	•	-

PLUGS

Series	Configuration example	T2	H
T2 Plug			
T4 Plug			

Seals	T2	T4
A NBR	-	•
H HNBR	•	-
V FPM	•	-