

LMP 110 series

Maximum working pressure up to 8 MPa (80 bar) - Flow rate up to 165 l/min



LMP 110 GENERAL INFORMATION

Description

Technical data

Low & Medium Pressure filters

Maximum working pressure up to 8 MPa (80 bar)
Flow rate up to 165 l/min

LMP110 is a range of versatile low pressure filter for transmission, protection of sensitive components in low pressure hydraulic systems and filtration of the coolant into the machine tools. They are directly connected to the lines of the system through the hydraulic fittings.

Available features:

- Female threaded connections up to 1", for a maximum return flow rate of 165 l/min
- Fine filtration rating, to get a good cleanliness level into the system
- Bypass valve, to relieve excessive pressure drop across the filter media
- Visual, electrical and electronic differential clogging indicators.

Common applications:

Delivery lines, in any low pressure industrial equipment or mobile machines

Filter housing materials

- Head: Aluminium
- Housing: Cataphoresis - Painted steel
- Bypass valve: Brass - Aluminium

Pressure

- Test pressure: 12 MPa (120 bar)
- Burst pressure: 29 MPa (290 bar)
- Pulse pressure fatigue test: 1 000 000 cycles with pressure from 0 to 8 MPa (80 bar)

Bypass valve

- Opening pressure 350 kPa (3.5 bar) $\pm 10\%$
- Other opening pressures on request.

Δp element type

- Microfibre filter elements - series N - W: 20 bar
- Wire mesh filter elements - series N: 20 bar
- Fluid flow through the filter element from OUT to IN

Seals

- Standard NBR series A
- Optional FPM series V

Temperature

From -25 °C to +110 °C

Note

LMP filters are provided for vertical mounting

Weights [kg] and volumes [dm³]

Filter series	Weights [kg]				Volumes [dm ³]					
	Length	1	2	3	4	Length	1	2	3	4
LMP 110		1.60	1.80	2.10	2.60		0.75	0.81	1.11	1.53

Flow rates [l/min]

Filter series	Length	Filter element design - N Series							
		A03	A06	A10	A16	A25	M25 M60 M90	P10	P25
LMP 110	1	40	42	65	69	85	163	117	120
	2	49	57	83	83	101	163	136	138
	3	66	70	92	102	124	164	142	144
	4	86	102	118	124	144	165	148	149

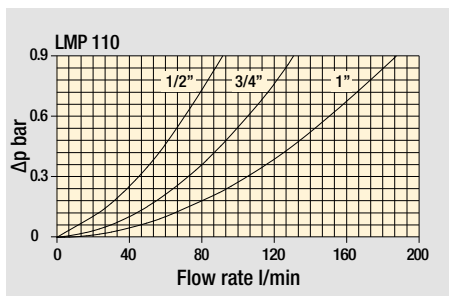
Maximum flow rate for a complete low and medium pressure filter with a pressure drop $\Delta p = 0.7$ bar.

The reference fluid has a kinematic viscosity of 30 mm²/s (cSt) and a density of 0.86 kg/dm³.

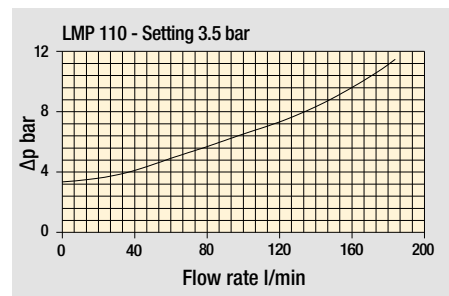
For different pressure drop or fluid viscosity we recommend to use our selection software available on www.mpfiltri.com.

You can also calculate the right size using the formulas present on the FILTER SIZING paragraph at the beginning of the full catalogue or at the beginning of the filter family brochure. Please, contact our Sales Department for further additional information.

Pressure drop



Filter housings Δp pressure drop



Bypass valve pressure drop

The curves are plotted using mineral oil with density of 0.86 kg/dm³ in compliance with ISO 3968. Δp varies proportionally with density.

Hydraulic symbols

Filter series	In-Line filter
LMP 110	

LMP 110

Designation & Ordering code

COMPLETE FILTER

Series and size **LMP110** Configuration example: **LMP110** **4** **B** **A** **D** **1** **A10** **N** **P01**

Length
1 | **2** | **3** | **4** |

Bypass valve
S Without bypass | **B** With bypass 3.5 bar

Seals and treatments
A NBR
V FPM

Connections

	Aux (only LMP 112 - 116)
A G 3/4"	G 3/4"
B G 1"	G 3/4"
C 3/4" NPT	3/4" NPT
D 1" NPT	3/4" NPT
E SAE 12 - 1 1/16" - 12 UN	SAE 12 - 1 1/16" - 12 UN
F SAE 16 - 1 5/16" - 12 UN	SAE 12 - 1 1/16" - 12 UN

Connection for differential pressure indicator
1 Without
2 With standard connection
3 With connection on the opposite side
6 With two connections on both sides

Filtration rating (filter media)

A03 Inorganic microfiber 3 µm	M25 Wire mesh 25 µm
A06 Inorganic microfiber 6 µm	M60 Wire mesh 60 µm
A10 Inorganic microfiber 10 µm	M90 Wire mesh 90 µm
A16 Inorganic microfiber 16 µm	P10 Resin impregnated paper 10 µm
A25 Inorganic microfiber 25 µm	P25 Resin impregnated paper 25 µm

Element Δp
N 20 bar

Execution
P01 MP Filtri standard
Pxx Customized

FILTER ELEMENT

Element series and size **CU110** Configuration example: **CU110** **4** **A10** **A** **N** **P01**

Element length
1 | **2** | **3** | **4** |

Filtration rating (filter media)

A03 Inorganic microfiber 3 µm	M25 Wire mesh 25 µm
A06 Inorganic microfiber 6 µm	M60 Wire mesh 60 µm
A10 Inorganic microfiber 10 µm	M90 Wire mesh 90 µm
A16 Inorganic microfiber 16 µm	P10 Resin impregnated paper 10 µm
A25 Inorganic microfiber 25 µm	P25 Resin impregnated paper 25 µm

Seals and treatments
A NBR
V FPM

Element Δp
N 20 bar

Execution
P01 MP Filtri standard
Pxx Customized

CLOGGING INDICATORS

See page 726

DEA Electrical differential pressure indicator
DEM Electrical differential pressure indicator
DEU Electrical differential pressure indicator
DLA Electrical / visual differential pressure indicator

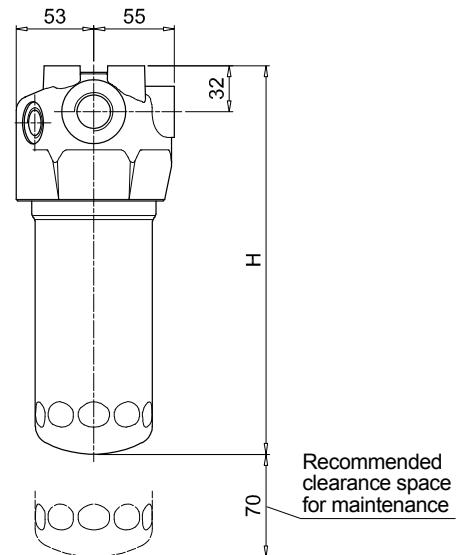
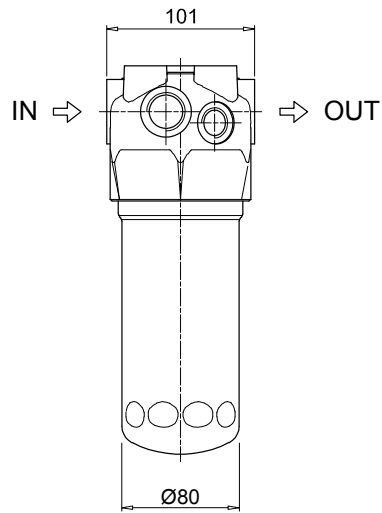
DLE Electrical / visual differential pressure indicator
DTA Electronic differential pressure indicator
DVA Visual differential pressure indicator
DVM Visual differential pressure indicator

PLUGS

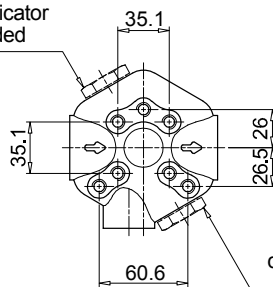
See page 747

T2 Plug (not included)

LMP110	
Filter length	H [mm]
1	182
2	215
3	265
4	365

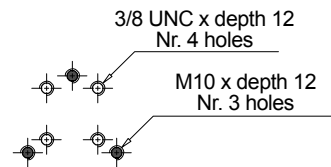


2 - Standard connection for diff. pressure indicator
T2 plug not included

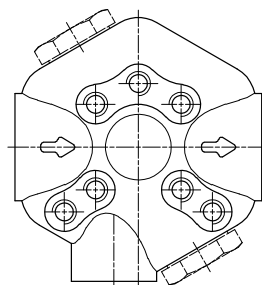


3 - Connection for diff. pressure indicator on the opposite side
T2 plug not included

Fixing holes
Option for Metric and UNC screws

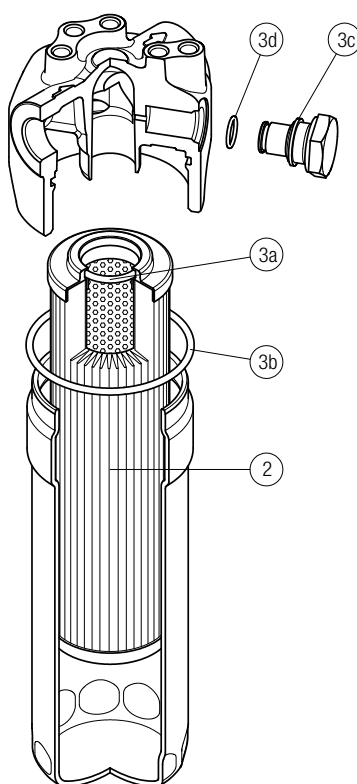


LMP 110



Order number for spare parts

LMP 110



Item:	Q.ty: 1 pc.		Q.ty: 1 pc.		Q.ty: 1 pc.	
Filter series	Filter element	Seal Kit code number		Indicator connection plug		
		NBR	FPM	NBR	FPM	
LMP 110	See order table	02050478	02050479	T2H	T2V	

CLOGGING INDICATORS LOW & MEDIUM PRESS. FILTERS

Designation & Ordering code

DIFFERENTIAL PRESSURE INDICATORS

Series	Configuration example 1:	DE	M	20	H	F	50	P01	
DE Electrical differential pressure indicator	Configuration example 2:	DE	U	50	V	A	50	P01	UL
DL Electrical/Visual differential pressure indicator	Configuration example 3:	DL	E	50	V	A	71	P01	
DT Electronic differential pressure indicator	Configuration example 4:	DT	A	20	H	F	70	P01	
DV Visual differential pressure indicator	Configuration example 5:	DV	M	50	V			P01	

Type	DE	DL	DT	DV
A Standard type	•	•	•	A With automatic reset
M With wired electrical connection	•	-	-	M With manual reset
U Standard type 210 bar, UL certified	•	-	-	S With automatic reset
E For high power supply	-	•	-	
S Compact version	•	-	-	

Pressure setting	DEA	DEM	DEU	DES	DLA	DLE	DTA	DVA	DVM	DVS
12 1.2 bar	•	•	-	•	•	•	•	•	•	•
20 2.0 bar	•	•	•	-	•	•	•	•	•	-
25 2.5 bar	-	-	-	-	-	-	-	-	-	•
40 4.0 bar	-	-	-	•	-	-	-	-	-	•
50 5.0 bar	•	•	•	-	•	•	•	•	•	-

Seals	DEA	DEM	DEU	DES	DL	DT	DVA	DVM	DVS
H HNBR	•	•	-	•	•	•	•	•	•
V FPM	•	•	•	-	•	•	•	•	-

Thermostat	DEA	DEM	DEU	DES	DLA	DLE	DT
A Without thermostat	•	•	•	•	•	•	-
F With thermostat	-	•	-	-	-	•	•

Electrical connections	DEA	DEM	DEU	DES	DLA	DLE	DT
10 Connection AMP Superseal series 1.5	-	•	-	•	-	-	-
20 Connection AMP Timer Junior	-	•	-	-	-	-	-
30 Connection Deutsch DT-04-2-P	-	•	-	•	-	-	-
35 Connection Deutsch DT-04-3-P	-	•	-	-	-	-	-
50 Connection EN 175301-803	•	-	•	-	-	•	-
51 Connection EN 175301-803, transparent base with lamps 24 Vdc	-	-	-	-	•	-	-
52 Connection EN 175301-803, transparent base with lamps 110 Vdc	-	-	-	-	•	-	-
70 Connection IEC 61076-2-101 D (M12)	-	-	-	-	-	-	•
71 Connection IEC 61076-2-101 D (M12), black base with lamps 24 Vdc	-	-	-	-	•	-	-
80 Connection Stud #10-32 UNF	-	-	-	•	-	-	-

Option
P01 MP Filtri standard
Pxx Customized

Certifications	DEU	OTHERS
Without	-	•
UL UL certification	•	-

PLUGS

Series	Configuration example	T2	H
T2 Plug			
T4 Plug			

Seals	T2	T4
A NBR	-	•
H HNBR	•	-
V FPM	•	-