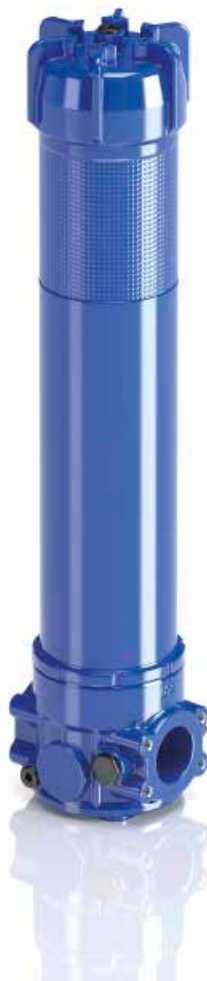


# LMP 430-431 series

Maximum working pressure up to 6 MPa (60 bar) - Flow rate up to 780 l/min



## Description

## Technical data

### Low & Medium Pressure filters

**Maximum working pressure up to 6 MPa (60 bar)**  
**Flow rate up to 780 l/min**

LMP431-431 is a range of low pressure filter with large filtration surface mainly suitable for lubrication, off-line filtration of the reservoirs and filtration equipment.

They are directly connected to the lines of the system through the hydraulic fittings.

#### Available features:

- Female threaded connections up to 2" and flanged connections up to 2 1/2", for a maximum flow rate of 780 l/min
- In line or 90° connections, to meet any type of application
- Base-mounting design also available, for ease of the replacement of the filter element
- Fine filtration rating, to get a good cleanliness level into the system
- Water removal elements, to remove the free water from the hydraulic fluid. For further information, see the Contamination Management document and the dedicate leaflet.
- Bypass valve, to relieve excessive pressure drop across the filter media
- Vent ports, to avoid air trapped into the filter going into the system
- Drain ports, to remove the fluid from the housing prior the maintenance work
- Visual, electrical and electronic differential clogging indicators

#### Common applications:

- Off-line filtration of reservoirs
- Filtration systems

### Filter housing materials

- Head: Anodized Aluminium
- Housing: Anodized Aluminium
- Bypass valve: Steel

### Pressure LMP 430-431 length 5 - 6

- Working pressure: 5 MPa (50 bar)
- Test pressure: 7.5 MPa (75 bar)
- Burst pressure: 15 MPa (150 bar)
- Pulse pressure fatigue test: 1 000 000 cycles with pressure from 0 to 5 MPa (50 bar)

### Bypass valve

- Opening pressure 350 kPa (3.5 bar) ±10%
- Other opening pressures on request.

### Δp element type

- Microfibre filter elements - series N - W: 20 bar
- Fluid flow through the filter element from OUT to IN

### Seals

- Standard NBR series A
- Optional FPM series V

### Temperature

From -25 °C to +110 °C

### Connections

LMP 400 - 430: In-line Inlet/Outlet  
 LMP 401 - 431: 90° Inlet/Outlet

### Note

LMP 400 filters are provided for vertical mounting

## Weights [kg] and volumes [dm<sup>3</sup>]

Filter series	Length	Weights [kg]		Length	Volumes [dm <sup>3</sup> ]	
		5	6		5	6
<b>LMP 430 - 431</b>		11.90	14.40		9.50	13.50

Flow rates [l/min]

Filter series	Length	Filter element design - N Series							
		A03	A06	A10	A16	A25	M25 M60 M90	P10	P25
<b>LMP 430</b>	<b>5</b>	459	501	610	660	717	781	700	721
	<b>6</b>	504	575	676	689	728	783	708	727
<b>LMP 431</b>	<b>5</b>	423	456	544	582	626	674	613	629
	<b>6</b>	459	516	594	604	634	676	619	633

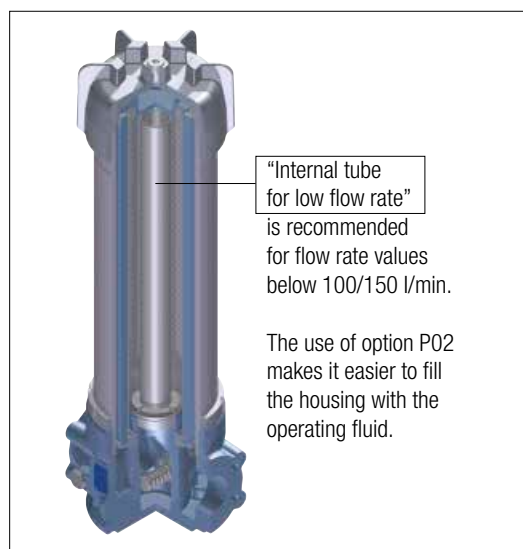
**Maximum flow rate for a complete low and medium pressure filter with a pressure drop  $\Delta p = 0.7$  bar.**

The reference fluid has a kinematic viscosity of 30 mm<sup>2</sup>/s (cSt) and a density of 0.86 kg/dm<sup>3</sup>.

For different pressure drop or fluid viscosity we recommend to use our selection software available on [www.mpfiltri.com](http://www.mpfiltri.com).

You can also calculate the right size using the formulas present on the FILTER SIZING paragraph at the beginning of the full catalogue or at the beginning of the filter family brochure. Please, contact our Sales Department for further additional information.

**LMP 430-431: execution P02**

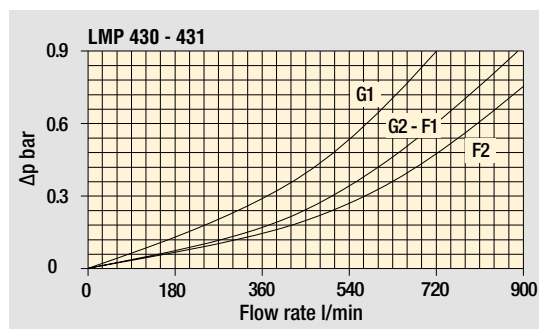


**Hydraulic symbols**

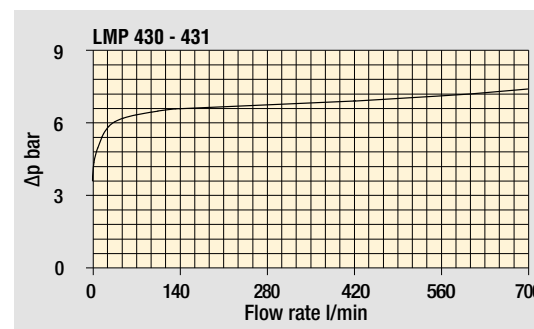
Filter series	Execution S	Execution B
<b>LMP 430-431</b>	•	•

**Pressure drop**

**Filter housings  $\Delta p$  pressure drop**



**Bypass valve pressure drop**



The curves are plotted using mineral oil with density of 0.86 kg/dm<sup>3</sup> in compliance with ISO 3968.  $\Delta p$  varies proportionally with density.

# LMP 430-431

## Designation & Ordering code

### COMPLETE FILTER

Series and size		Configuration example: <b>LMP431</b>   <b>5</b>   <b>B</b>   <b>A</b>   <b>G1</b>   <b>A10</b>   <b>N</b>   <b>P01</b>									
<b>LMP430</b>   <b>LMP431</b>											
Length		<b>5</b>   <b>6</b>									
Bypass valve		<b>S</b> Without bypass   <b>B</b> With bypass 3.5 bar									
Seals and treatments		Filtration rating									
		Axx	Mxx	Pxx							
<b>A</b> NBR		•	•	•							
<b>V</b> FPM		•	•	•							
<b>W</b> NBR with surface-treatment on filter element's tube		•	•	-							
Connections											
<b>G1</b> G 1 1/2"		<b>F1</b> 2" SAE 3000 psi/M									
<b>G2</b> G 2"		<b>F2</b> 2 1/2" SAE 3000 psi/M									
<b>G3</b> 1 1/2" NPT		<b>F3</b> 2" SAE 3000 psi/UNC									
<b>G4</b> 2" NPT		<b>F4</b> 2 1/2" SAE 3000 psi/UNC									
<b>G5</b> SAE 24 - 1 7/8" - 12 UN											
<b>G6</b> SAE 32 - 2 1/2" - 12 UN											
Filtration rating (filter media)											
<b>A03</b> Inorganic microfiber 3 µm		<b>M25</b> Wire mesh 25 µm									
<b>A06</b> Inorganic microfiber 6 µm		<b>M60</b> Wire mesh 60 µm									
<b>A10</b> Inorganic microfiber 10 µm		<b>M90</b> Wire mesh 90 µm									
<b>A16</b> Inorganic microfiber 16 µm		<b>P10</b> Resin impregnated paper 10 µm									
<b>A25</b> Inorganic microfiber 25 µm		<b>P25</b> Resin impregnated paper 25 µm									
<b>WA025</b> Water absorber inorganic microfiber 25 µm											
		Element Δp		Execution							
		<b>N</b> 20 bar		<b>P01</b> MP Filtri standard							
				<b>P02</b> With internal tube for low flow rate							
				<b>Pxx</b> Customized							

### FILTER ELEMENT

Element series and size		Configuration example: <b>CU400</b>   <b>5</b>   <b>A10</b>   <b>A</b>   <b>N</b>   <b>P01</b>									
<b>CU400</b>											
Element length		<b>5</b>   <b>6</b>									
Filtration rating (filter media)											
<b>A03</b> Inorganic microfiber 3 µm		<b>M25</b> Wire mesh 25 µm									
<b>A06</b> Inorganic microfiber 6 µm		<b>M60</b> Wire mesh 60 µm									
<b>A10</b> Inorganic microfiber 10 µm		<b>M90</b> Wire mesh 90 µm									
<b>A16</b> Inorganic microfiber 16 µm		<b>P10</b> Resin impregnated paper 10 µm									
<b>A25</b> Inorganic microfiber 25 µm		<b>P25</b> Resin impregnated paper 25 µm									
<b>WA025</b> Water absorber inorganic microfiber 25 µm											
Seals		Filtration rating									
		Axx	Mxx	Pxx							
<b>A</b> NBR		•	•	•							
<b>V</b> FPM		•	•	•							
<b>W</b> NBR with surface-treatment on tube		•	•	-							
		Element Δp		Execution							
		<b>N</b> 20 bar		<b>P01</b> MP Filtri standard							
				<b>Pxx</b> Customized							

### CLOGGING INDICATORS

See page 726

<b>DEA</b> Electrical differential pressure indicator	<b>DLE</b> Electrical / visual differential pressure indicator
<b>DEM</b> Electrical differential pressure indicator	<b>DTA</b> Electronic differential pressure indicator
<b>DEU</b> Electrical differential pressure indicator	<b>DVA</b> Visual differential pressure indicator
<b>DLA</b> Electrical / visual differential pressure indicator	<b>DVM</b> Visual differential pressure indicator

### PLUGS

See page 747

<b>T2</b> Plug
----------------

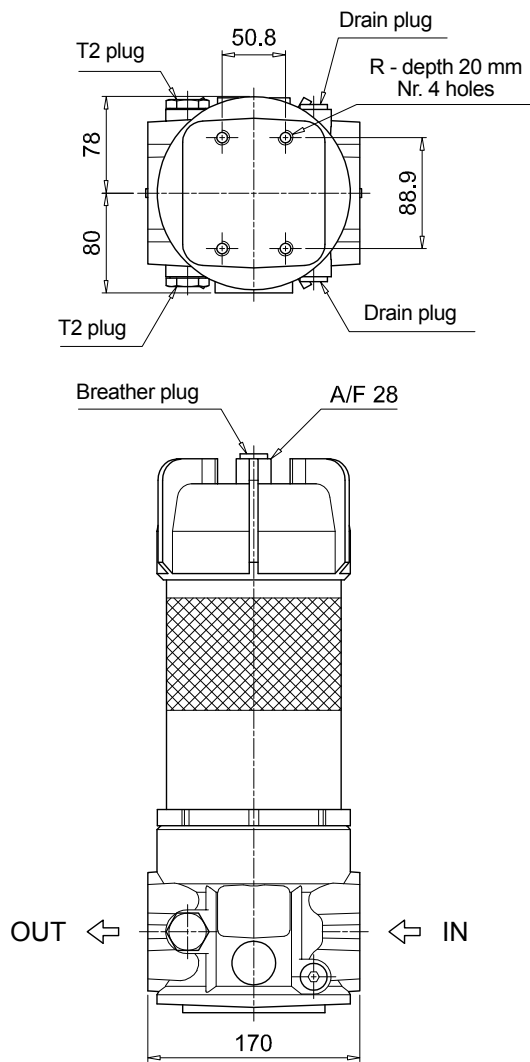
# LMP 430-431

## Dimensions

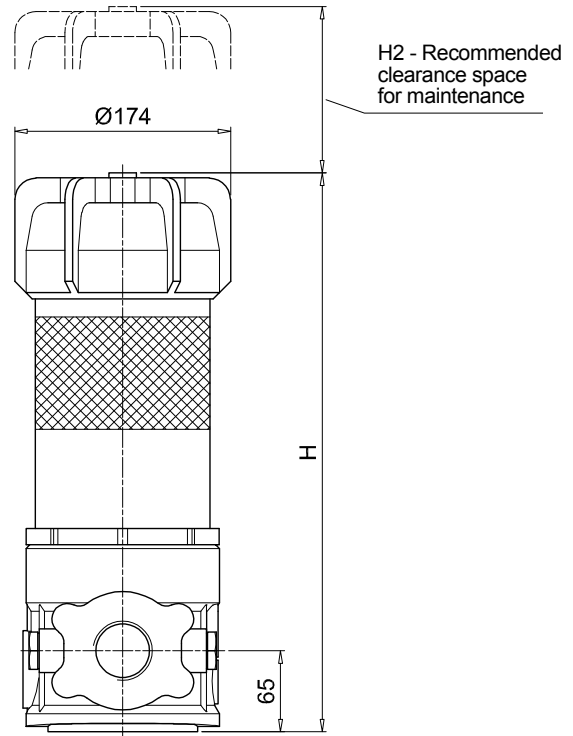
LMP430		
Filter length	H [mm]	H2 [mm]
<b>5</b>	828	660
<b>6</b>	1158	690

Connections	R
<b>G1-G2</b>	M12
<b>G3-G4-G5-G6</b>	1/2" UNC
<b>F1-F2</b>	M12
<b>F3-F4</b>	1/2" UNC



T2 plug =  
connection for diff. pressure indicator



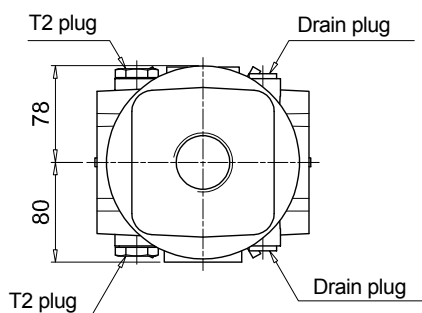
# LMP 430-431

## Dimensions

### LMP431

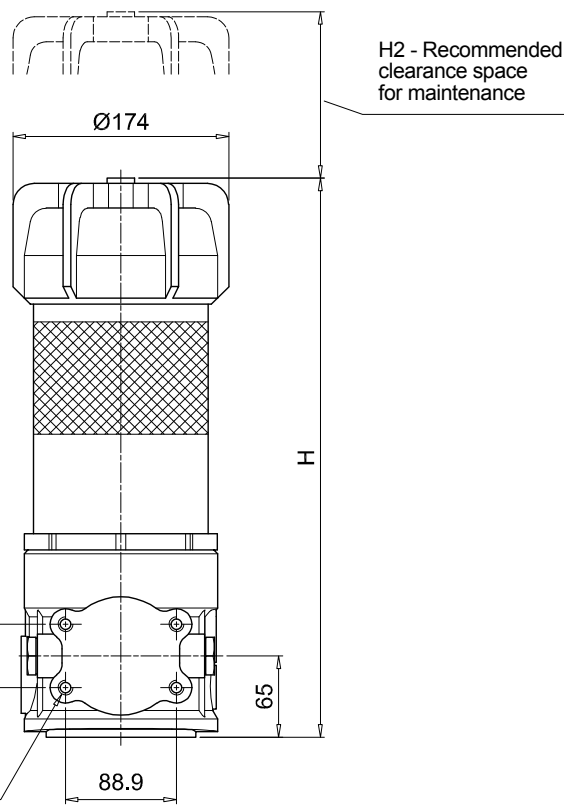
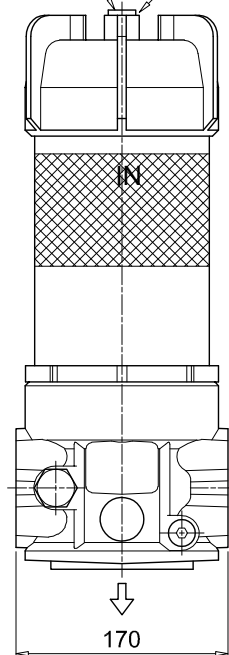
Filter length	H [mm]	H2 [mm]
<b>5</b>	828	660
<b>6</b>	1158	690

Connections	R
<b>G1-G2</b>	M12
<b>G3-G4-G5-G6</b>	1/2" UNC
<b>F1-F2</b>	M12
<b>F3-F4</b>	1/2" UNC



T2 plug =  
connection for diff. pressure indicator

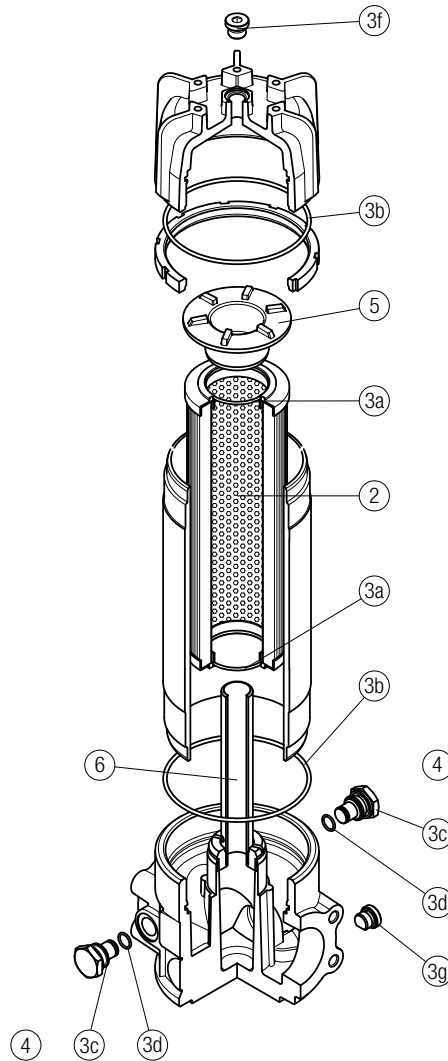
Breather plug A/F 28



R - depth 20 mm  
Nr. 4 holes

LMP 430 - 431

length 5 - 6



Item:	Q.ty: 1 pc.		Q.ty: 1 pc.		Q.ty: 2 pcs.		Q.ty: 2 pcs.		Q.ty: 1 pc.	
Filter series	Filter element	Seal Kit code number NBR	Seal Kit code number FPM	Indicator connection plug NBR	Indicator connection plug FPM	Housing spigot no bypass	Housing spigot with bypass	Internal tube for low flow rate, execution P02		
<b>LMP 430-431 length 5-6</b>	See order table	02050393	02050394	T2H	T2V	01044108	02001414	Length 5: 02025041	Length 6: 02025042	

# CLOGGING INDICATORS LOW & MEDIUM PRESS. FILTERS

## Designation & Ordering code

### DIFFERENTIAL PRESSURE INDICATORS

Series	Configuration example 1:	DE	M	20	H	F	50	P01	
<b>DE</b> Electrical differential pressure indicator	Configuration example 2:	DE	U	50	V	A	50	P01	UL
<b>DL</b> Electrical/Visual differential pressure indicator	Configuration example 3:	DL	E	50	V	A	71	P01	
<b>DT</b> Electronic differential pressure indicator	Configuration example 4:	DT	A	20	H	F	70	P01	
<b>DV</b> Visual differential pressure indicator	Configuration example 5:	DV	M	50	V			P01	

Type	DE	DL	DT	DV
<b>A</b> Standard type	•	•	•	<b>A</b> With automatic reset
<b>M</b> With wired electrical connection	•	-	-	<b>M</b> With manual reset
<b>U</b> Standard type 210 bar, UL certified	•	-	-	<b>S</b> With automatic reset
<b>E</b> For high power supply	-	•	-	
<b>S</b> Compact version	•	-	-	

Pressure setting	DEA	DEM	DEU	DES	DLA	DLE	DTA	DVA	DVM	DVS
<b>12</b> 1.2 bar	•	•	-	•	•	•	•	•	•	•
<b>20</b> 2.0 bar	•	•	•	-	•	•	•	•	•	-
<b>25</b> 2.5 bar	-	-	-	-	-	-	-	-	-	•
<b>40</b> 4.0 bar	-	-	-	•	-	-	-	-	-	•
<b>50</b> 5.0 bar	•	•	•	-	•	•	•	•	•	-

Seals	DEA	DEM	DEU	DES	DL	DT	DVA	DVM	DVS
<b>H</b> HNBR	•	•	-	•	•	•	•	•	•
<b>V</b> FPM	•	•	•	-	•	•	•	•	-

Thermostat	DEA	DEM	DEU	DES	DLA	DLE	DT
<b>A</b> Without thermostat	•	•	•	•	•	•	-
<b>F</b> With thermostat	-	•	-	-	-	•	•

Electrical connections	DEA	DEM	DEU	DES	DLA	DLE	DT
<b>10</b> Connection AMP Superseal series 1.5	-	•	-	•	-	-	-
<b>20</b> Connection AMP Timer Junior	-	•	-	-	-	-	-
<b>30</b> Connection Deutsch DT-04-2-P	-	•	-	•	-	-	-
<b>35</b> Connection Deutsch DT-04-3-P	-	•	-	-	-	-	-
<b>50</b> Connection EN 175301-803	•	-	•	-	-	•	-
<b>51</b> Connection EN 175301-803, transparent base with lamps 24 Vdc	-	-	-	-	•	-	-
<b>52</b> Connection EN 175301-803, transparent base with lamps 110 Vdc	-	-	-	-	•	-	-
<b>70</b> Connection IEC 61076-2-101 D (M12)	-	-	-	-	-	-	•
<b>71</b> Connection IEC 61076-2-101 D (M12), black base with lamps 24 Vdc	-	-	-	-	•	-	-
<b>80</b> Connection Stud #10-32 UNF	-	-	-	•	-	-	-

Option
<b>P01</b> MP Filtri standard
<b>Pxx</b> Customized

Certifications	DEU	OTHERS
Without	-	•
<b>UL</b> UL certification	•	-

### PLUGS

Series	Configuration example	T2	H
<b>T2</b> Plug			
<b>T4</b> Plug			

Seals	T2	T4
<b>A</b> NBR	-	•
<b>H</b> HNBR	•	-
<b>V</b> FPM	•	-