

# LEN - LEG - LET - LEM - LEU series

Electrical oil level indicators



## Technical data

### Electrical oil level indicators

LEN is a range of electrical fluid level indicators for monitoring of the fluid level into the tank.

They are directly fitted on the tank.

The float moves through the rod while the fluid level changes.

A magnet, fitted into the float, turns a reed sensor fixed into the rod.

### Available features:

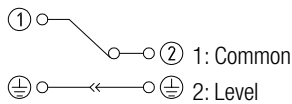
- G 1" male threaded or flanged connections
- Adjustable size on request, to meet every size of tank
- 1 or 2 floats, to monitor the minimum level, the maximum level or both of them.

### Common applications:

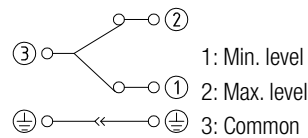
- Hydraulic systems
- Mobile machines
- Industrial equipment

### Electrical symbol:

LEN 1 Float



LEN 2 Floats



**Note:** to invert the contact status from NC to NO and vice versa, simply invert the float.

### Materials

- Flange/Threaded body: Aluminium
- Tube: Brass, AISI 304 (on request)
- Float: Nylon foam, AISI 316 (on request)
- O-Ring: NBR
- Circlip: Phosphor bronze
- Contact: N.C. reed, N.O. (on request)

### Electrical data

- Protection rating: IP65
- Max switching capacity: 80 W
- Max switching current: 1 A
- Max switching voltage: 250 Vac
- Fluid specific gravity: > 0.75

### Temperature

From -15 °C to + 80 °C

### Weight

LEN 1 float 0.185 kg  
LEN 2 floats 0.230 kg

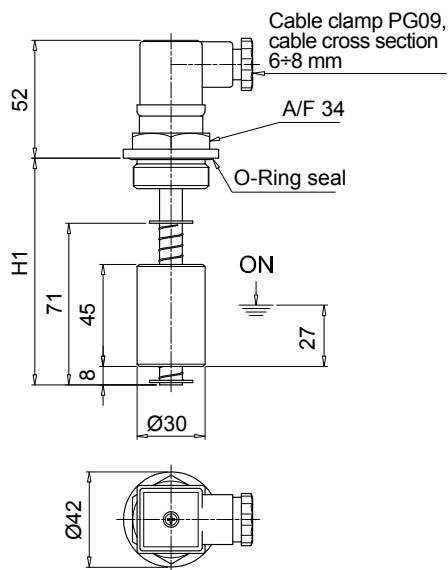


## Designation & Ordering code

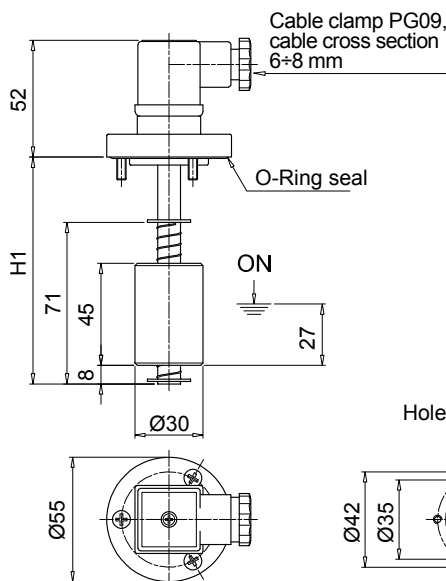
### LEN

Series	Configuration example :									
<b>LEN</b>	LEN	A	350	2	A	1	A	G	S	P01
<b>Tube material</b>										
<b>A</b> Brass										
<b>Length</b>										
<b>150   200   250   350   400   500</b>										
<b>Number of floats</b>	Length									
	150	200	250	350	400	500				
<b>1</b> Nr. 1 float	•	•	•	•	•	•				
<b>2</b> Nr. 2 floats		•	•	•	•	•				
<b>Float material</b>										
<b>A</b> Nylon foam										
<b>Electrical switch</b>										
<b>1</b> N.C. (normally closed)										
<b>Seals</b>										
<b>A</b> NBR										
<b>Connections to the tank</b>										
<b>G</b> Thread G 1"										
<b>F</b> Nr. 3 holes flange										
<b>Electrical connection</b>										
<b>S</b> DIN 43650 connector										
<b>Execution</b>										
<b>P01</b> MP Filtri standard										
<b>Pxx</b> Customized										

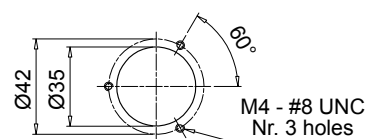
### Connection "G"



### Connection "F"



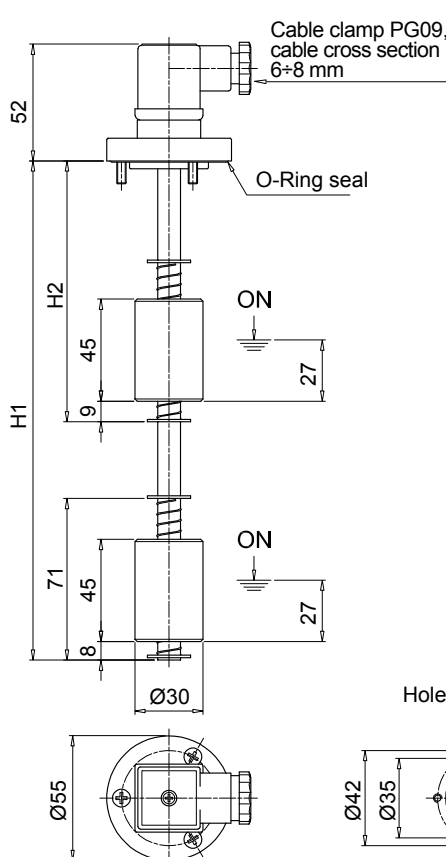
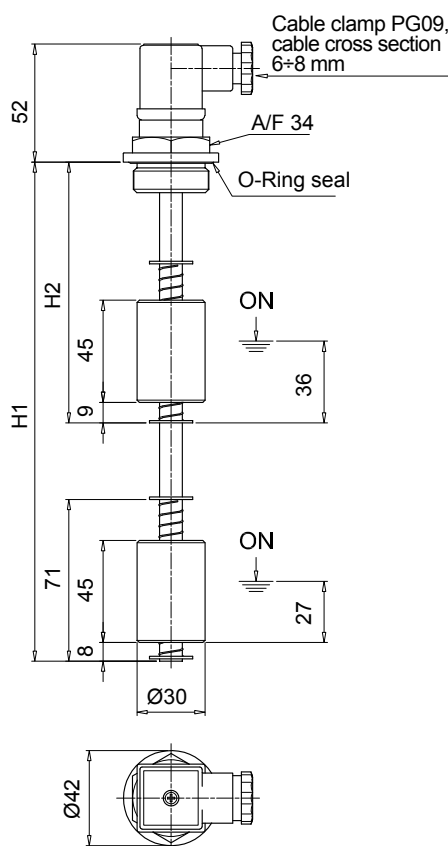
Holes on the tank



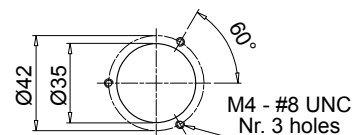
LEN

Nr. 1 float

Length	H1 [mm]
150	150
200	200
250	250
350	350
400	400
500	500



Holes on the tank



LEN

Nr. 2 floats

Length	H1 [mm]	H2 [mm]
200	200	95
250	250	105
350	350	115
400	400	115
500	500	125

Optional

### DIN 43650 CONNECTOR

#### Materials

- Flange: aluminum
- Rod: brass
- Float: nylon foam
- Seals: A= NBR - V= FPM

#### Temperature

From -15 °C to +80 °C

For temperatures outside this range, contact MP Filtri Technical and Sales Department

## Technical data

### Electrical oil level indicators

LEG is a range of electrical fluid level indicators for monitoring of the fluid level into the tank.

They are directly fitted on the tank side.

The float moves through the rod while the fluid level changes.

A magnet, fitted into the float, turns a reed sensor fixed into the rod.

### Available features:

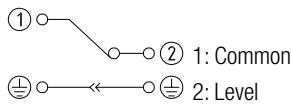
- Flanged connections
- Adjustable size on request, to meet every size of tank
- 1 float, to monitor the minimum level or the maximum level.

### Common applications:

- Hydraulic systems
- Mobile machines
- Industrial equipment

### Electrical symbol:

LEG 1 Float



**Note:** to invert the contact status from NC to NO and vice versa, simply invert the float.

### Materials

- Flange: Aluminium
- Tube: Brass
- Float: Nylon foam
- O-Ring: NBR
- Circlip: Phosphor bronze
- Contact: N.C. reed, N.O. (on request)

### Electrical data

- Protection rating: IP65
- Max switching capacity: 80 W
- Max switching current: 1 A
- Max switching voltage: 250 Vac
- Fluid specific gravity: > 0.75

The electrical properties indicated are referred to resistive loads; for capacitive and inductive loads and incandescent lamps, use protection circuits.

### Temperature

From -15 °C to + 80 °C

### Weight

LEG A 102 0.19 kg  
LEG A 200 0.22 kg

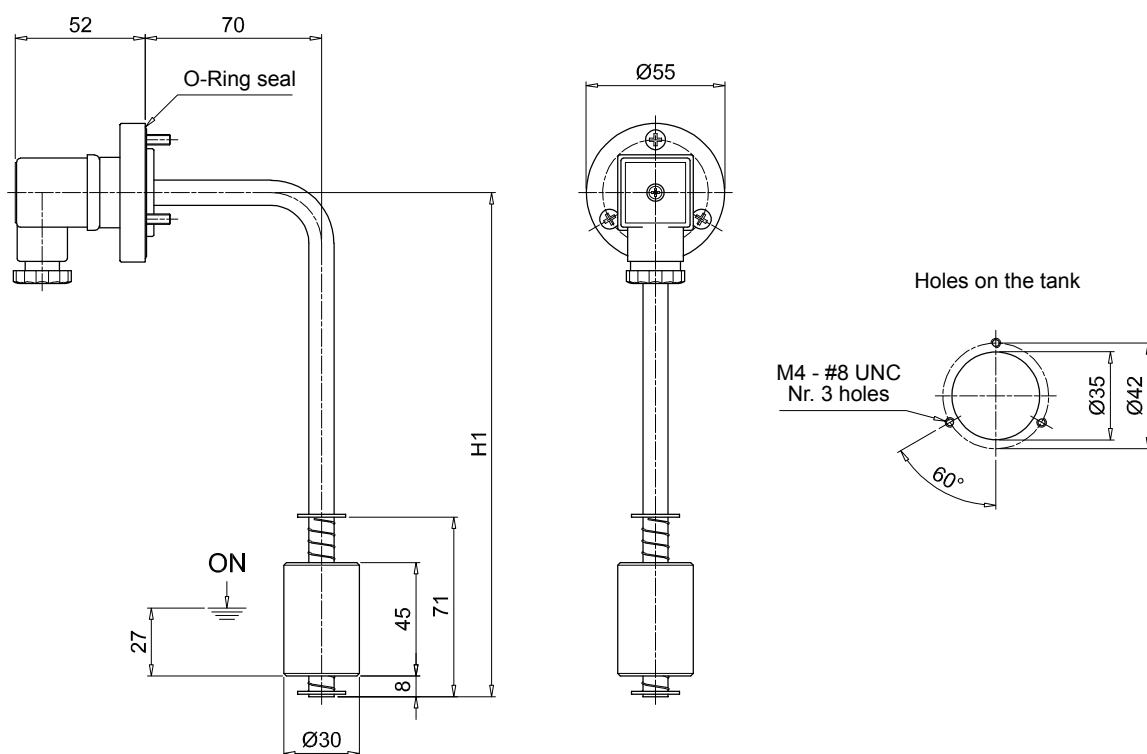


## Designation & Ordering code

### LEG

Series	Configuration example :	LEG	A	200	1	A	1	A	F	S	P01
<b>LEG</b>											
<b>Tube material</b>			A								
<b>A</b> Brass											
<b>Length</b>				200							
<b>102   200  </b>											
<b>Number of floats</b>					1						
<b>1</b> Nr. 1 float											
<b>Float material</b>						A					
<b>A</b> Nylon foam											
<b>Electrical switch</b>							1				
<b>1</b> N.C. (normally closed)											
<b>Seals</b>								A			
<b>A</b> NBR											
<b>Connection to the tank</b>									F		
<b>F</b> Nr. 3 holes flange											
<b>Electrical connection</b>										S	
<b>S</b> DIN 43650 connector											
											<b>Execution</b>
											<b>P01</b> MP Filtri standard
											<b>Pxx</b> Customized

LEG	
Size	H1 [mm]
LEG 102	103
LEG 200	200



Optional

### DIN 43650 CONNECTOR

#### Materials

- Flange: aluminum
- Rod: brass
- Float: nylon foam
- Seals: A= NBR - V= FPM

#### Temperature

From -15 °C to +80 °C

For temperatures outside this range, contact  
MP Filtri Technical and Sales Department

**Note:** for installation onto OB Cleaning covers see page 147

## Technical data

### Electrical oil level indicators

LET is a range of electrical fluid level indicators for monitoring of the fluid level into the tank. They are directly fitted on the tank.

The float moves through the rod while the fluid level changes.

A magnet, fitted into the float, turns a reed sensor fixed into the rod.

The integrated thermostat allows to get a remote monitoring of the temperature.

#### Available features:

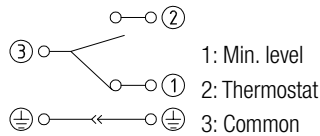
- G 1" male threaded or flanged connections
- Adjustable size on request, to meet every size of tank
- 1 float, to monitor the minimum level or the maximum level.

#### Common applications:

- Hydraulic systems
- Mobile machines
- Industrial equipment

#### Electrical symbol:

LET 2 Floats with thermostat



**Note:** to invert the contact status from NC to NO and vice versa, simply invert the float.

### Materials

- Flange/Threaded body: Aluminium
- Tube: Brass, AISI 304 (on request)
- Float: Nylon foam, AISI 316 (on request)
- O-Ring: NBR
- Circlip: Phosphor bronze
- Contact: N.C. reed, N.O. (on request)

### Electrical data

- Protection rating: IP65
- Max switching capacity: 80 W
- Max switching current: 1 A
- Max switching voltage: 250 Vac
- Fluid specific gravity: > 0.75

### Temperature

From -15 °C to + 80 °C

### Weight

LET A 200	0.20 kg
LET A 300	0.23 kg
LET A 400	0.28 kg



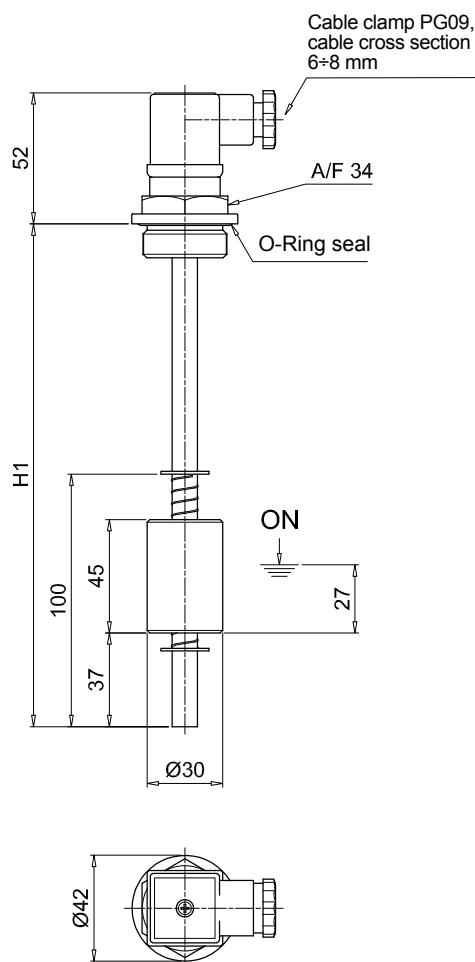
## Designation & Ordering code

### LET

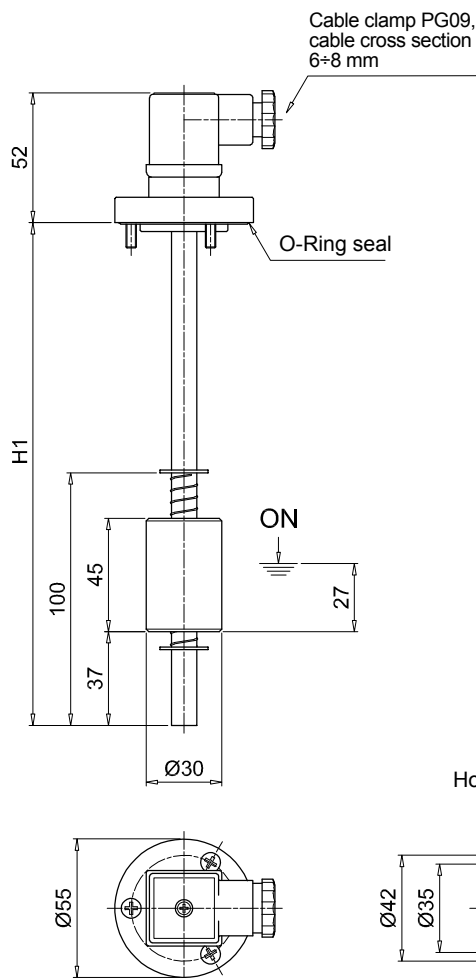
Series	Configuration example :	LET	A	300	1	A	1	A	F	S	50	P01
<b>LET</b>												
<b>Tube material</b>			A									
<b>A</b> Brass												
<b>Length</b>				300								
<b>200   300   400  </b>												
<b>Number of floats</b>					1							
<b>1</b> Nr. 1 float												
<b>Float material</b>						A						
<b>A</b> Nylon foam												
<b>Electrical switch</b>							1					
<b>1</b> N.C. (normally closed)												
<b>Seals</b>								A				
<b>A</b> NBR												
<b>Connections to the tank</b>									F			
<b>G</b> Thread G 1"												
<b>F</b> Nr. 3 holes flange												
<b>Electrical connection</b>										S		
<b>S</b> DIN 43650 connector												
											<b>Thermostat setting</b>	
											<b>50</b> 50°C N.O. (normally open)	
												<b>Execution</b>
												<b>P01</b> MP Filtri standard
												<b>Pxx</b> Customized

LET	
Length	H1 [mm]
200	200
300	300
400	400

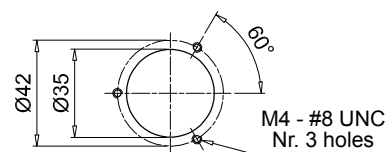
### Connection "G"



### Connection "F"



### Holes on the tank



Optional

### DIN 43650 CONNECTOR

#### Materials

- Flange: aluminum
- Rod: brass
- Float: nylon foam
- Seals: A= NBR - V= FPM

#### Temperature

From -15 °C to +80 °C

For temperatures outside this range, contact  
MP Filtri Technical and Sales Department

## Technical data

### Electrical oil level indicators

LEM is a range of electrical fluid level indicators for monitoring of the fluid level into the tank. They are directly fitted on the tank. The float moves through the rod while the fluid level changes. A magnet, fitted into the float, turns a reed sensor fixed into the rod. The setting point is adjustable on site, with few easy actions.

#### Available features:

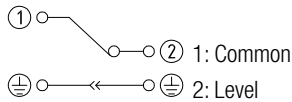
- Flanged connections
- Adjustable size on request, to meet every size of tank
- 1 float, to monitor the minimum level or the maximum level
- Integrated thermostat, to get a remote monitoring of the temperature.

#### Common applications:

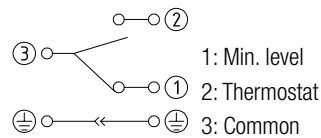
- Hydraulic systems
- Mobile machines
- Industrial equipment

#### Electrical symbol:

LEM 1 Float



LEM 2 Floats with thermostat



**Note:** to invert the contact status from NC to NO and vice versa, simply invert the float.

### Materials

- Flange/Threaded body: Aluminium
- Tube: Brass
- Float: Nylon foam
- O-Ring: NBR
- Circlip: Phosphor bronze
- Float contact: N.C. reed, N.O. (on request)
- Thermostat contact: N.O., N.C. (on request)

### Electrical data

- Protection rating: IP65
- Max switching capacity: 80 W
- Max switching current: 1 A
- Max switching voltage: 250 Vac
- Fluid specific gravity: > 0.75

### Temperature

From -15 °C to + 80 °C

### Weight

LEM 0.406 kg



## Designation & Ordering code

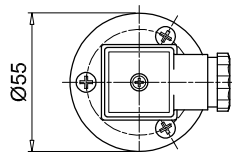
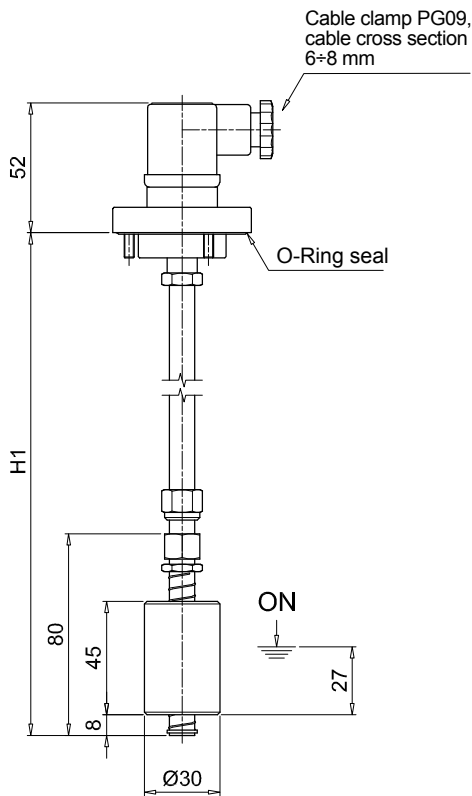
### LEM

Series	Configuration example :	LEM	A	1000	1	A	1	A	F	S	60	P01
<b>LEM</b>												
<b>Tube material</b>			A									
A	Brass											
<b>Length</b>				1000								
500   1000												
<b>Number of floats</b>					1							
1	Nr. 1 float											
<b>Float material</b>						A						
A	Nylon foam											
<b>Electrical switch</b>							1					
1	N.C. (normally closed)											
<b>Seals</b>								A				
A	NBR											
<b>Connections to the tank</b>									F			
F	Nr. 3 holes flange											
<b>Electrical connection</b>										S		
S	DIN 43650 connector											
<b>Thermostat setting</b>											60	
00	Without thermostat											
60	60°C N.O. (normally open)											
<b>Execution</b>												P01
P01	MP Filtri standard											
Pxx	Customized											

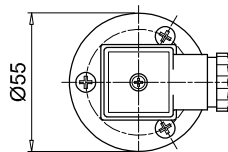
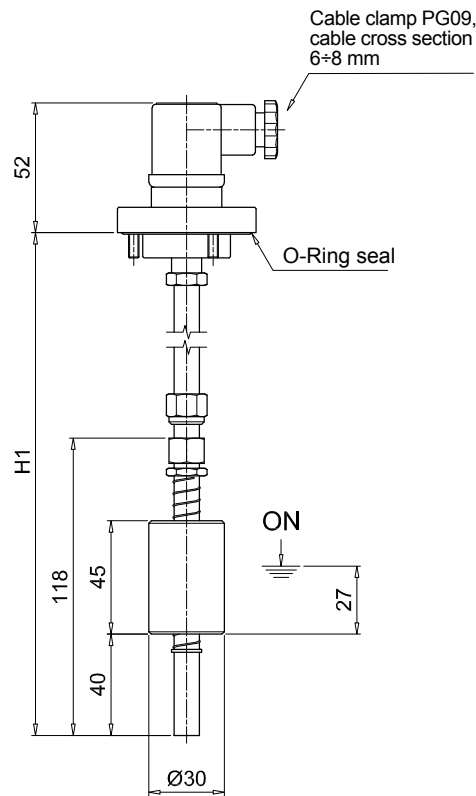


LEM	
Length	H1 [mm]
500	500
1000	1000

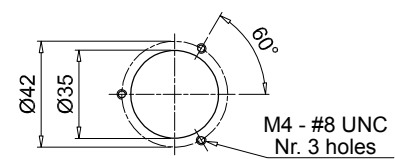
Without thermostat



With thermostat



Holes on the tank



Optional

### DIN 43650 CONNECTOR

#### Materials

- Flange: aluminum
- Rod: brass
- Float: nylon foam
- Seals: A= NBR - V= FPM

#### Temperature

From -15 °C to +80 °C

For temperatures outside this range, contact  
MP Filtri Technical and Sales Department

## Technical data

### Electrical oil level indicators

LEU is a range of electrical fluid level indicators for monitoring of the fluid level into the tank. They are directly fitted on the tank.

The float moves through the rod while the fluid level changes.

A magnet, fitted into the float, turns a reed sensor fixed into the rod.

The setting point is adjustable on site, with few easy actions.

They are made of stainless steel, to meet every heavy duty application.

### Available features:

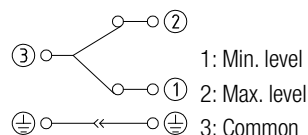
- Flanged connections
- Adjustable size on request, to meet every size of tank
- 2 floats, to monitor both the minimum level and the maximum level.

### Common applications:

- Hydraulic systems
- Mobile machines
- Industrial equipment

### Electrical symbol:

LEU 2 Floats



**Note:** to invert the contact status from NC to NO and vice versa, simply invert the float.

### Materials

- Flange: Aluminium
- Tube: AISI 304
- Float: Hard rubber, AISI 316 (on request)
- O-Ring: NBR
- Circlip: AISI 304
- Float contact: N.C. reed, N.O. (on request)

### Electrical data

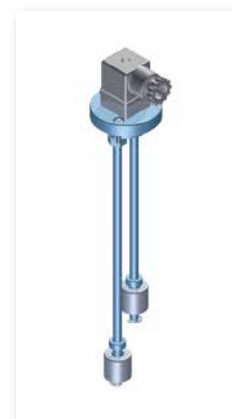
- Protection rating: IP65
- Max switching capacity: 50 W
- Max switching current: 0.5 A
- Max switching voltage: 250 Vac
- Fluid specific gravity: > 0.75

### Temperature

From -15 °C to + 80 °C

### Weight

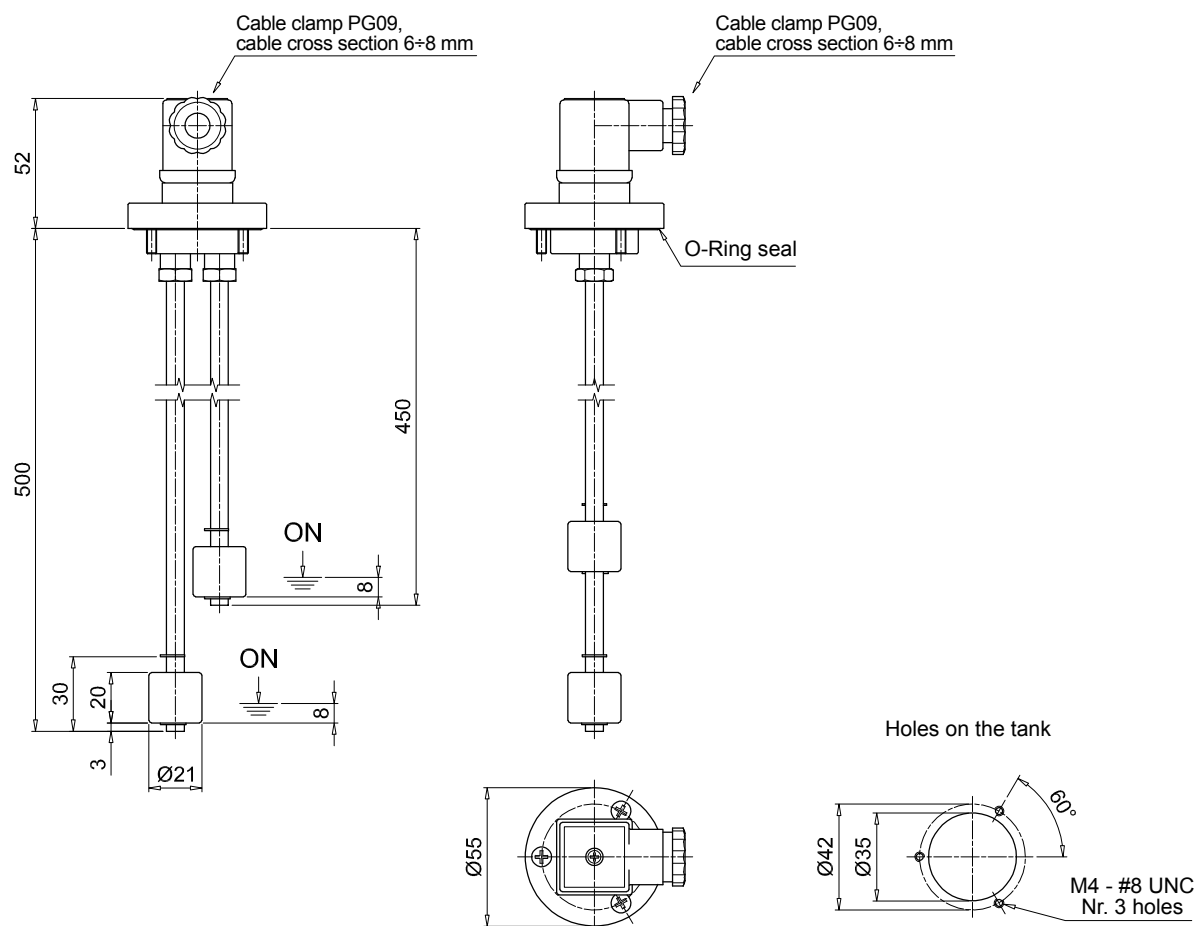
LEU 1 float 0.310 kg  
 LEU 2 floats 0.415 kg



## Designation & Ordering code

LEU	
Series	Configuration example : LEU B 2 B 1 A F S P01
<b>LEU</b>	
Tube material	B AISI 304
Number of floats	2 Nr. 2 floats
Float material	B NBR
Electrical switch	1 N.C. (normally closed)
Seals	A NBR
Connections to the tank	F Nr. 3 holes flange
Electrical connection	S DIN 43650 connector
Execution	P01 MP Filtri standard
	Pxx Customized

LEU



Optional

### DIN 43650 CONNECTOR

#### Materials

- Flange: aluminum
- Rod: brass
- Float: nylon foam
- Seals: A= NBR - V= FPM

#### Temperature

From -15 °C to +80 °C

For temperatures outside this range, contact  
MP Filtri Technical and Sales Department